

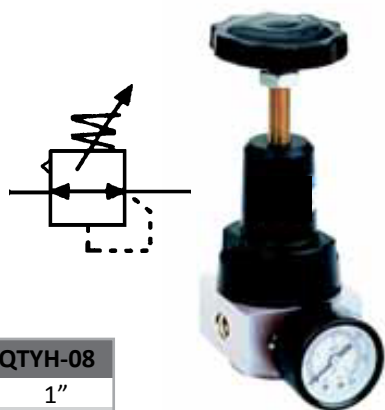
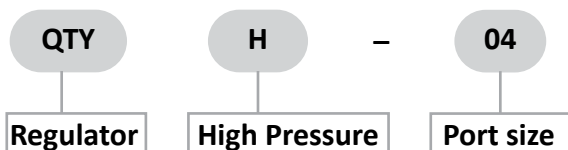
QTYH Air Source Treatment Unit

High Pressure Regulator

Characteristic:

Compressed air can be adhusted from 4MPa to 3MPa and kept steady-going

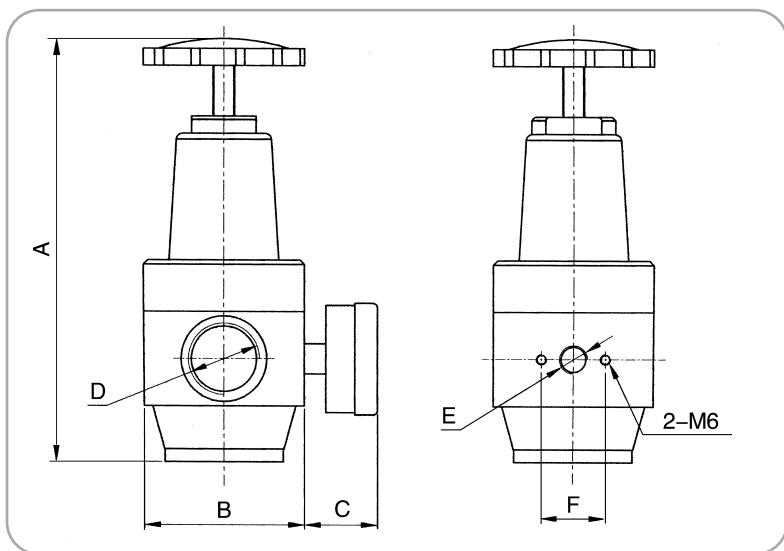
How to order:



Specification:

Type	QTYH-02	QTYH-03	QTYH-04	QTYH-06	QTYH-08
Port size (G)	1/4"	3/8"	1/2"	3/4"	1"
Max.working pressure MPa	4				
Operating pressure range MPa	0.05~3				
Fluid	Compressor				
Ambient temperature °C	-10 ~ 70				

Dimension (mm):



Nominal Diameter	Type	A	B	C	D	E	F
02		150	55x55	35	G1/4	G1/4	30
03		150	55x55	35	G3/8	G1/4	30
04		150	55x55	35	G1/2	G1/4	30
06		224	75x75	35	G3/4	G1/4	40
08		224	75x75	35	G1	G1/4	40