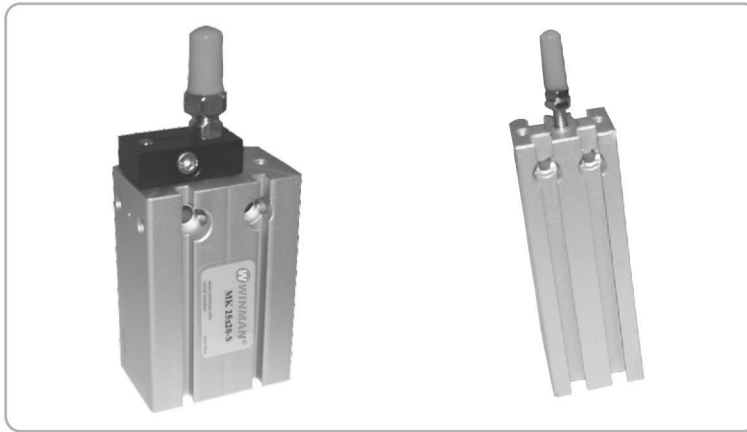


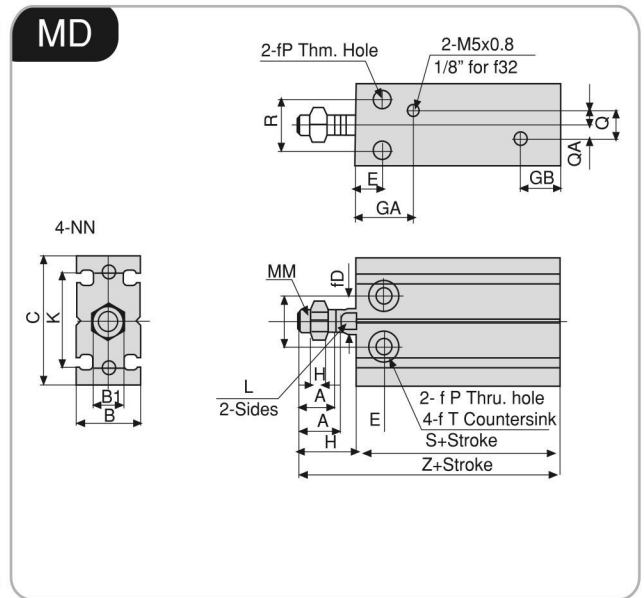
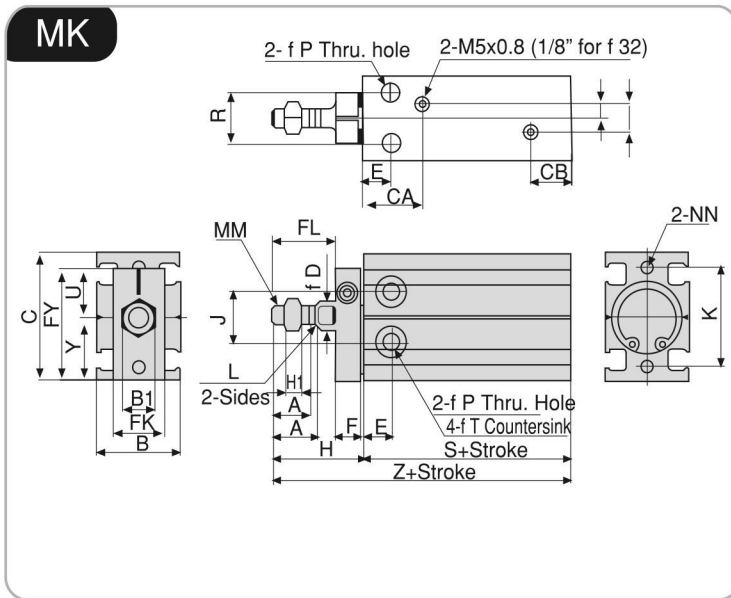
**MK / MD Serisi Silindirler / MK / MD Series Cylinders**



**Teknik Özellikler / Technical Specifications**

- Sabit Yastıklı
- Opsiyonel manyetiklik
- Yağsız çalışabilir
- Fixed cushioning
- With magnet option
- Work without oil

**Teknik Çizim / Technical Drawing**



**Sensörler / Sensors**

WT-06R

Sayfa / Page 55

MK İtem Çap Ölçüsü Bore Size	A	A1	B	B1	C	D	E	F	FL	FK	FY	GA	GB	H	H1	J	K	L	Y	MM	Without Magnet		With Magnet	
	S	Z	S	Z																				
6	7	-	16.5	5.5	22	3	3	7	8	9	11	15	10	18	1.8	10	17	-	10.5	M3 x 0.5	33	51	33	51
10	10	-	16.5	7	24	4	4	7	8	12	12	16.5	10	21	2.4	11	18	-	11.5	M4 x 0.7	36	57	36	57
16	11	12.5	20	8	32	6	6	7	8	17	13	15	10	26	4	14	25	5	15.5	M5 x 0.8	30	56	40	66
20	12	14	26	10	40	8	8	9	8	20	16	20.5	11	29	5	16	30	6	19.5	M6 x 1.0	36	65	46	75
25	15.5	18	32	12	50	10	10	10	10	22	20	23.5	8.2	33	6	20	38	8	24.5	M8 x 1.25	40	73	50	83
32	19.5	22	40	17	62	12	12	11	12	29	24	22.5	12.5	42	6	24	48	10	30.5	M10 x 1.25	42	84	52	94

**Sensörler / Sensors**

WT-06R

Sayfa / Page 55

MD İtem Çap Ölçüsü Bore Size	A	A1	B	B1	C	D	E	GA	GB	H	HI	J	K	L	MM	NN	P	Q	QA	R	T	Without Magnet		With Magnet	
	S	Z	S	Z																					
6	7	-	16.5	5.5	22	3	7	15	10	13	1.8	10	17	-	M3 x 0.5	M3 x 0.5 DP.5	3.2	-	-	7	6Dp:4.8	33	46	33	46
10	10	-	16.5	7	24	4	7	16.5	10	16	2.4	11	18	-	M4 x 0.7	M3 x 0.5 DP.5	3.2	-	-	9	6Dp:5.6	36	52	36	52
16	11	12.5	20	8	32	6	7	15	10	16	4	14	25	5	M5 x 0.8	M4 x 0.7 DP.5	4.5	3	1.5	12	7.6Dp:6.5	30	46	40	56
20	12	14	26	10	40	8	9	20.5	11	19	5	16	30	6	M6 x 1.0	M5 x 0.8 DP.8	5.5	9	4.5	16	9.3Dp:8	36	55	46	65
25	15.5	18	32	12	50	10	10	23.5	8.2	23	6	20	38	8	M8 x 1.25	M5 x 0.8 DP.8	5.5	12	6	20	9.3Dp:9	40	63	50	73
32	19.5	22	40	17	62	12	11	22.5	12.5	27	6	24	48	10	M10 x 1.25	M6 x 1.0 DP.9	6.6	13.5	4.5	24	11Dp:11.5	42	69	52	79