

FV Series Control Valve

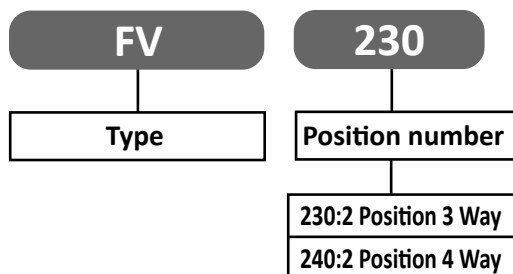
Foot Valve

Specification:

Type	FV230	FV240
Position number	2 Position 3 Way	2 Position 3 Way
Port size(G)	1/4"	
Fluid	Compressed Air	
Operating pressure(MPa)	0.2-0.8	
Temperature range	-5-60°C	

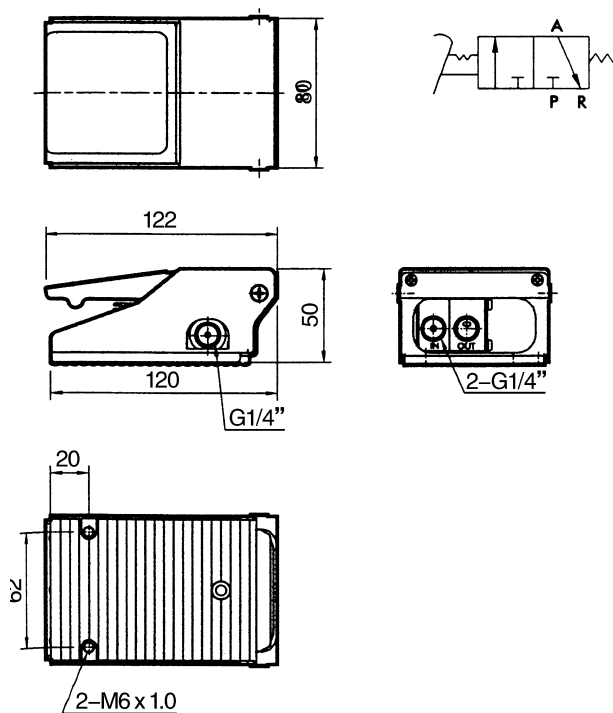


How to order:



Dimension(mm):

□FV230



□FV240

