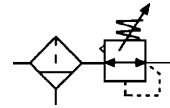


AW Air Source Treatment Unit

Filter Regulator



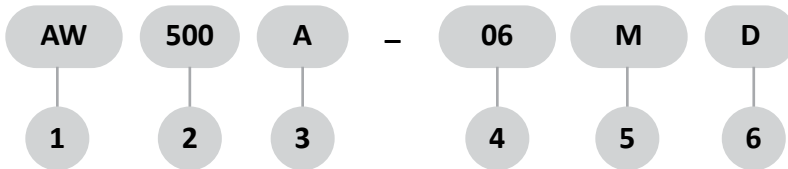
Specification:

Type	AW200A-01,02	AW300A-02,03	AW400A-03,04	AW500A-06,08	AW600A-06,08
Port size G	1/8" . 1/4"	1/4" . 3/8"	3/8" . 1/2"	3/4" . 1"	3/4" . 1"
Gauge thread G	1/8"		1/4"		
Fluid	Compressed Air				
Operating pressure range MPa	0.15~0.85				
Max.Flow rate L/min	900	2000	3500	5000	
Ambient temperature °C	-10 ~ 60				
Filter precision	5µm or 40 µm				
Cup material	Polycarbonate				
Guard cup	●	●	●	●	●

Notes 1:The guard cup of AW200A series can be optional 2: The cups of AW200A,AW300A series can be optional



How to order:

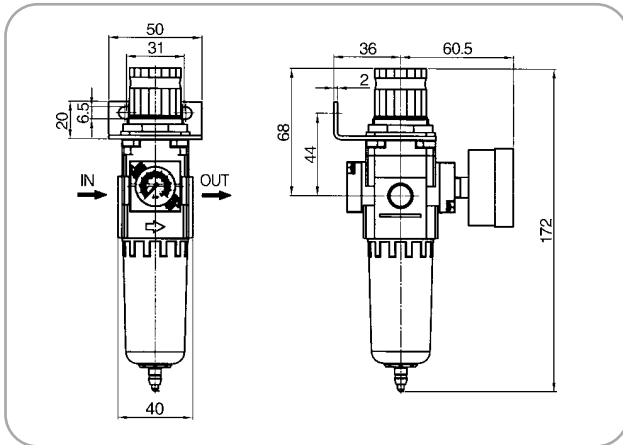


1	AC Filter Regulator
2	Type: 200,300,400,500,600
3	A: Improved type ; Blank: Old type
4	Port size: 01:G1/8",02:G1/4",03:G3/8",04:G1/2",06:G3/4",08:G1"
5	M: Embed square gauge; Blank: Round gauge
6	□: Differential pressure drain , D: Auto-drain;

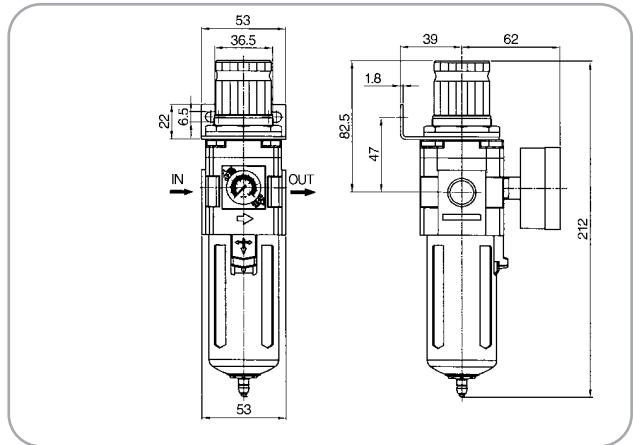
AW Air Source Treatment Unit

Filter Regulator

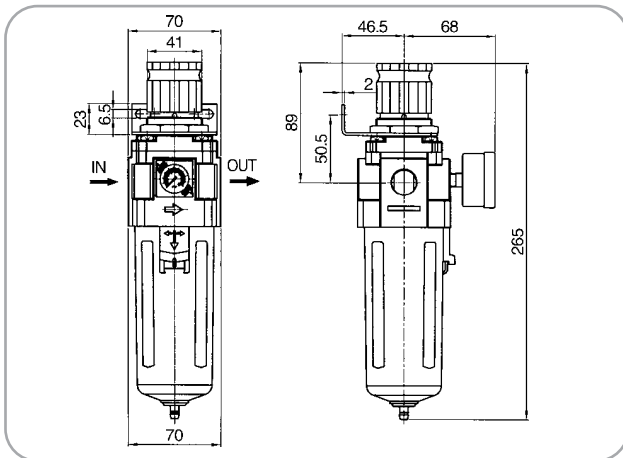
■ **AW200A-01,02**



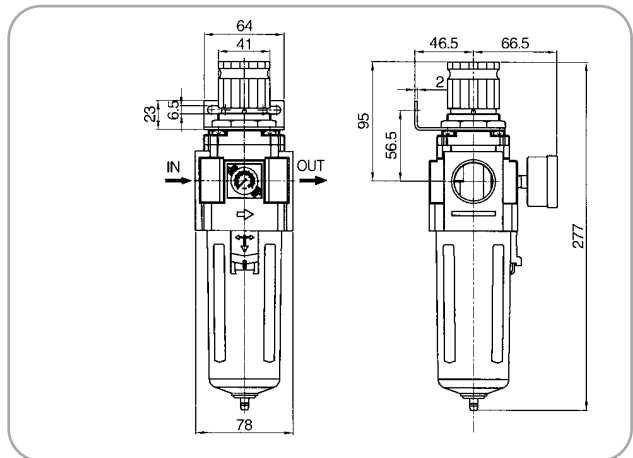
■ **AW300A-02,03**



■ **AW400A-03,04**



■ **AW500A-06,08**



■ **AW600A-06,08**

