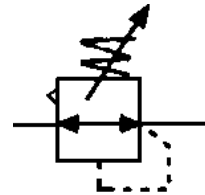


AR Air Source Treatment Unit

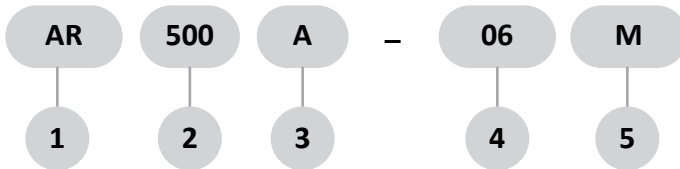
Regulator

Specification:

Type	AR200A	AR300A	AR400A	AR500A	AR600A
Port size G	1/8".1/4"	1/4".3/8"	3/8".1/2"	3/4".1"	3/4".1"
Gauge thread G	1/8"		1/8"		
Fluid	Compressed Air				
Operating pressure range MPa	0.15~0.85				
Max.Flow rate L/min	1200	2000	3500	5000	
Ambient temperature °C	-10 ~60				



How to order:

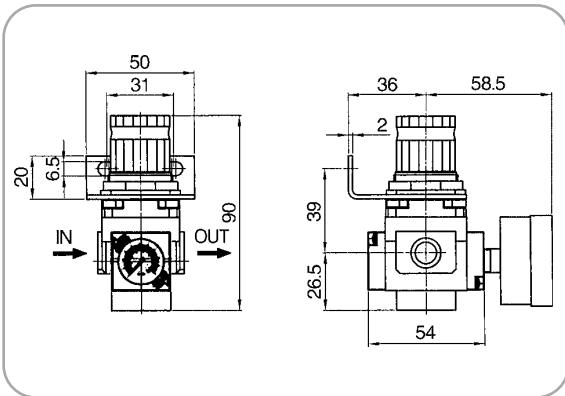


1	AR Regulator
2	Type: 200,300,400,500,600
3	A: Improved type ; Blank: Old type
4	Port size: 01:G1/8",02:G1/4",03:G3/8",04:G1/2",06:G3/4",08:G1"
5	M: Embed square gauge ; Blank: Round gauge

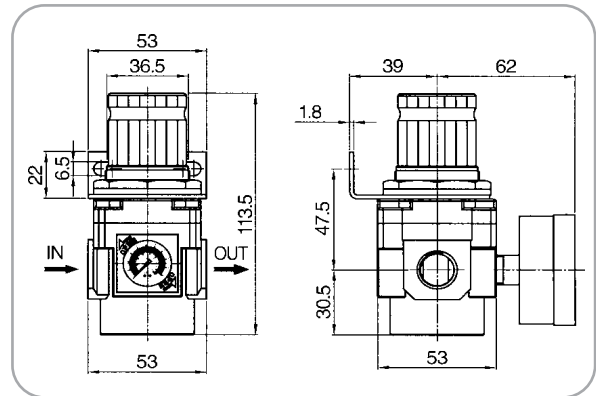
AR Air Source Treatment Unit

Filter Regulator

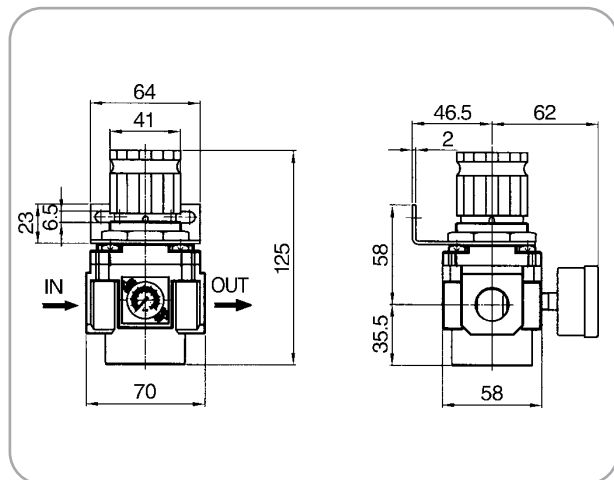
■ AR200A-01,02



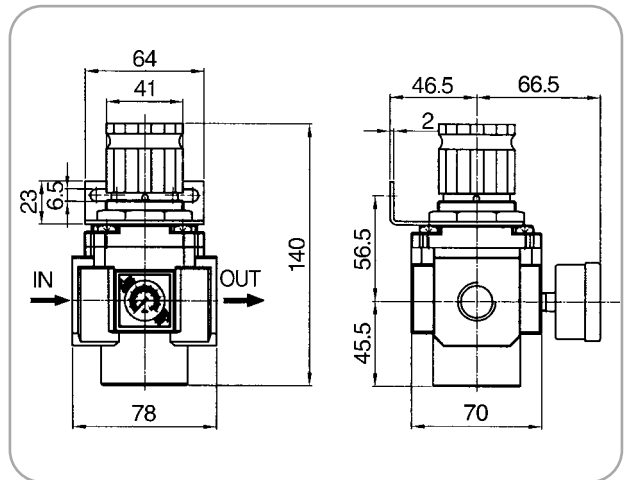
■ AR300A-02,03



■ AR400A-03,04



■ AR500A-06,08



■ AR600A-06,08

