

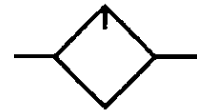
AI Air Source Treatment Unit

Lubricator

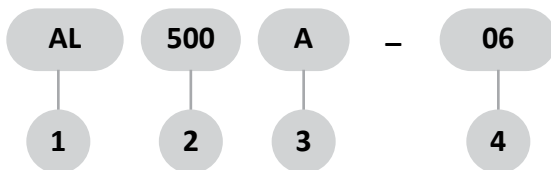
Specification:

Type	AR200A	AR300A	AR400A	AR500A	AR600A
Port size G	1/8".1/4"	1/4".3/8"	3/8".1/2"	3/4".1"	3/4".1"
Fluid	Compressed Air				
Operating pressure range MPa	0.15~0.85				
Max.Flow rate L/min	1200	2000	3500	5000	
Ambient temperature °C	-10 ~60				
Filter precision	ISO VG32				
Cup material	Polycarbonate				
Guard cup	-	●	●	●	●

Notes 1:The guard cup of AL200A series can be optional.2:The cups of AL200A,AL300A series can be optional



How to order:

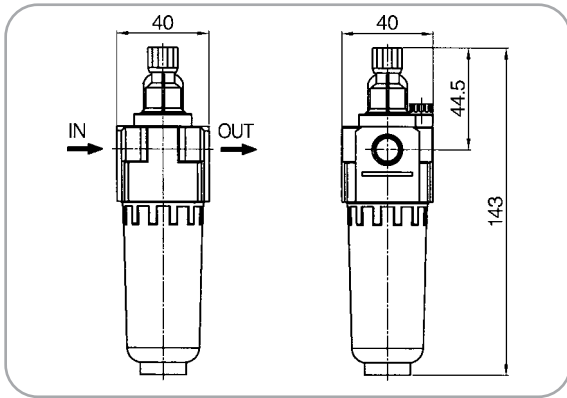


1	AL Lubricator
2	Type: 200,300,400,500,600
3	A: Improved type ; Blank: Old type
4	Port size: 01:G1/8",02:G1/4",03:G3/8",04:G1/2",06:G3/4",08:G1"

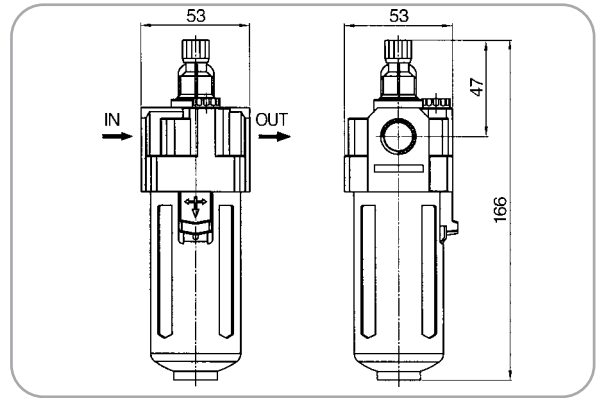
AL Air Source Treatment Unit

Dimension (mm):

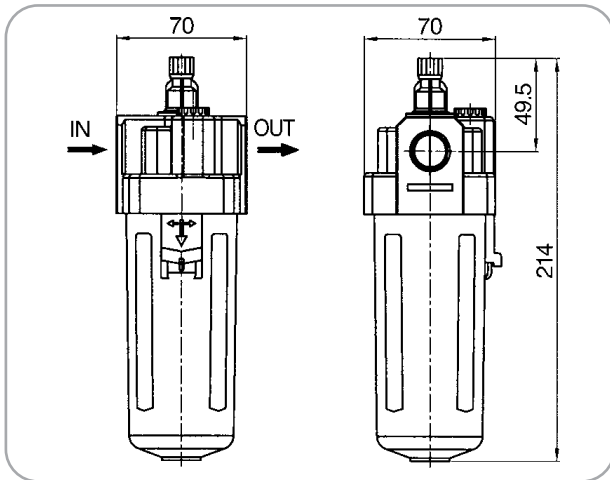
■ **AL200A-01,02**



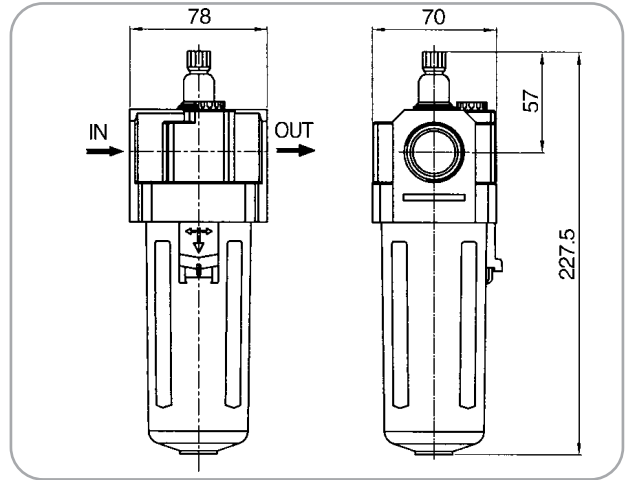
■ **AL300A-02,03**



■ **AL400A-03,04**



■ **AL500A-06,08**



■ **AL600A-06,08**

