

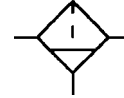
AF Air Source Treatment Unit

Filter Regulator

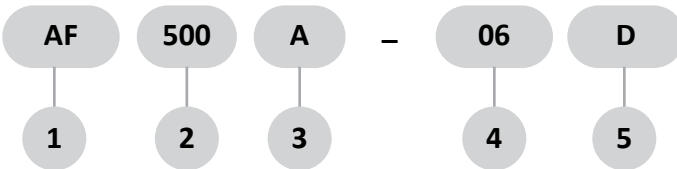
Specification:

Type	AF200A	AF300A	AF400A	AF500A	AF600A
Port size G	1/8".1/4"	1/4".3/8"	3/8".1/2"	3/4".1"	3/4".1"
Fluid	Compressed Air				
Operating pressure range MPa	0.15~0.85				
Max.Flow rate L/min	1200	2000	3500	5000	
Ambient temperature °C	-10 ~ 60				
Filter precision	5µm or 40 µm				
Cup material	Polycarbonate				
Guard cup	-	●	●	●	●

Notes 1:The guard cup of AF200A series can be optional 2: The cups of AF200A,AF300A series can be optional



How to order:

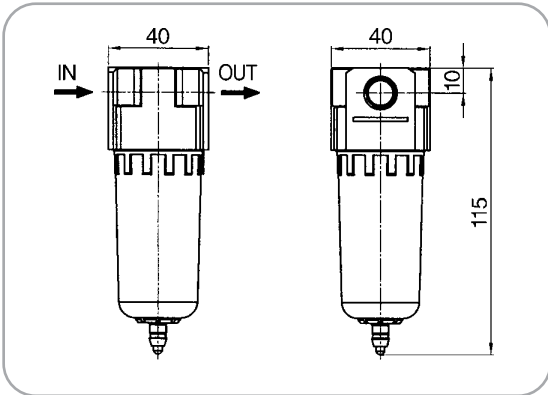


1	AC Filter
2	Type: 200,300,400,500,600
3	A: Improved type ; Blank: Old type
4	Port size: 01:G1/8",02:G1/4",03:G3/8",04:G1/2",06:G3/4",08:G1"
5	□: Differential pressure drain , D: Auto-drain;

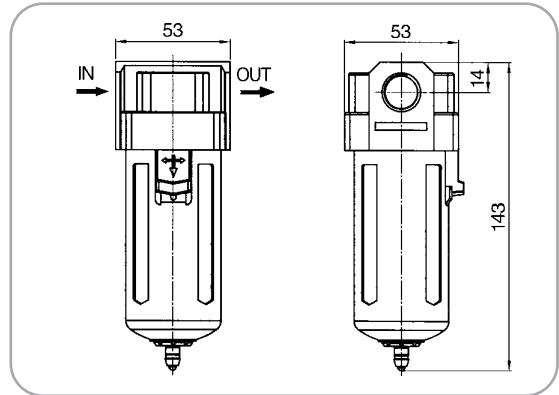
AF Air Source Treatment Unit

Filter Regulator

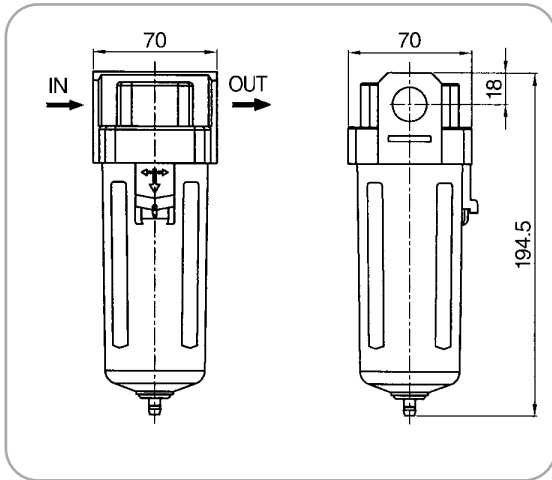
■ AF200A-01,02



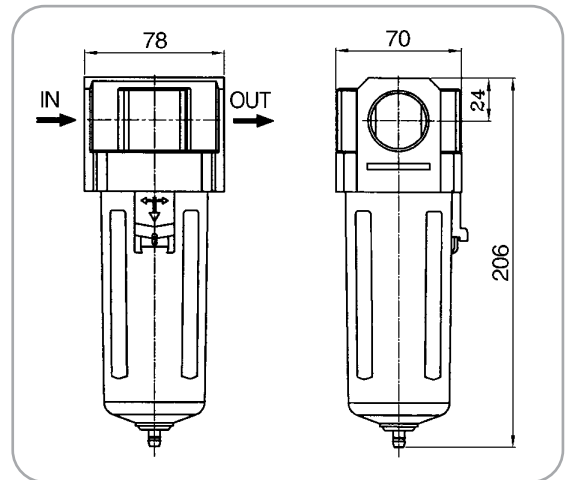
■ AF300A-02,03



■ AF400A-03,04



■ AF500A-06,08



■ AF600A-06,08

