

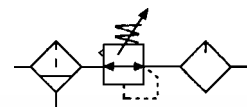
AC Air Source Treatment Unit

Filter Regulator+Lubricator

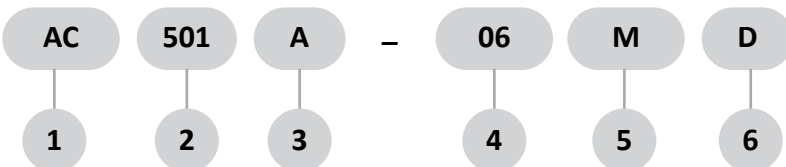
Specification:

Type	AC201/A-01,02	AC301/A-02,03	AC401/A-03,04	AC501/A-06,08	AC601/A-06,08
Port size G	1/8".1/4"	1/4".3/8"	3/8".1/2"	3/4".1"	3/4".1"
Gauge thread G	1/8"		1/4"		
Fluid	Compressed Air				
Operating pressure range MPa	0.15~0.85				
Max.Flow rate L/min	900	2000	3500	5000	
Ambient temperature °C	0.10 ~ 60				
Filter precision	5µm or 40 µm				
Oil recommended	ISO VG32				
Cup material	Polycarbonate				
Structure	Overflow type				
Optional	Guard cup	-	●	●	●
	Bracket	20T	30T	40T	50T

Notes 1:The guard cup of AC201A series can be optional 2: The cups of AC201A,AC301A series can be optional

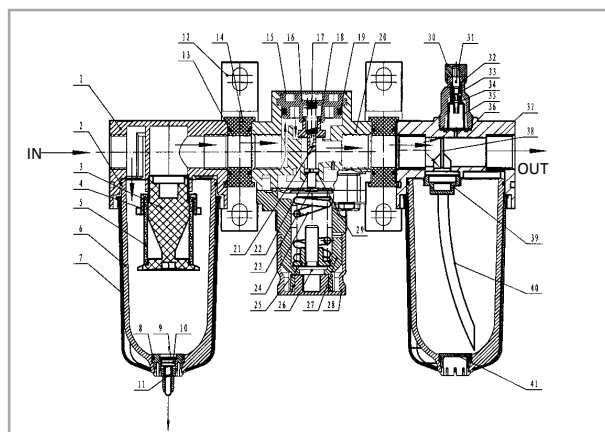


How to order:



1	AC Filter Regulator+Lubricator
2	Type: 201,301,401,501,601
3	A: Improved type ; Blank: Old type
4	Port size: 01:G1/8",02:G1/4",03:G3/8",04:G1/2",06:G3/4",08:G1"
5	M: Embed square gauge; Blank: Round gauge
6	□: Differential pressure drain , D: Auto-drain;

Inner structure drawing:

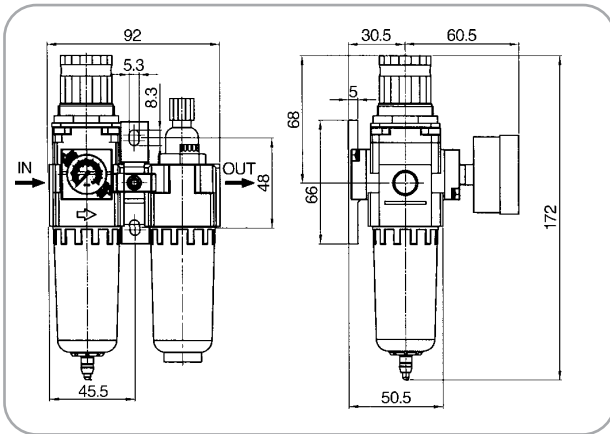


No	code	No	code	No	code
1	knob	15	cartridge	29	O-ring
2	nut	16	baffle body	30	middle doom
3	screw	17	water cup	31	O-ring
4	regulator cover	18	guard cup	32	doom outer cover
5	regulator cover	19	O - ring	33	middle doom
6	diaphragm	20	drain doom	34	seals
7	O-ring	21	circlip	35	lubricator body
8	regulator core	22	drain nozzle	36	damping fin
9	regulator corewasher	23	drain spring	37	bolt
10	filter regulator body	24	breaket	38	oil tube
11	O-ring	25	connecting block	39	oil cup
12	O-ring	26	O-ring	40	guard cup
13	regulator core spring	27	doom button	41	oil cup block
14	impeller	28	adjust pin	42	O-ring

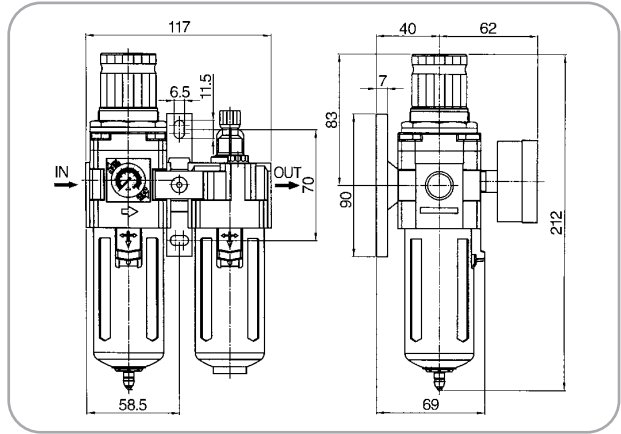
AC Air Source Treatment Unit

Dimension(mm):

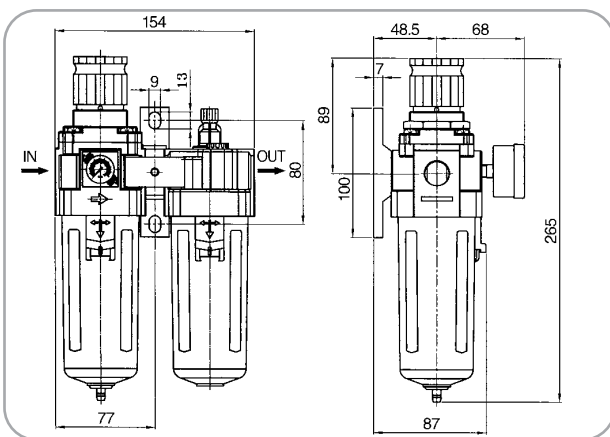
■ AC201A-01,02



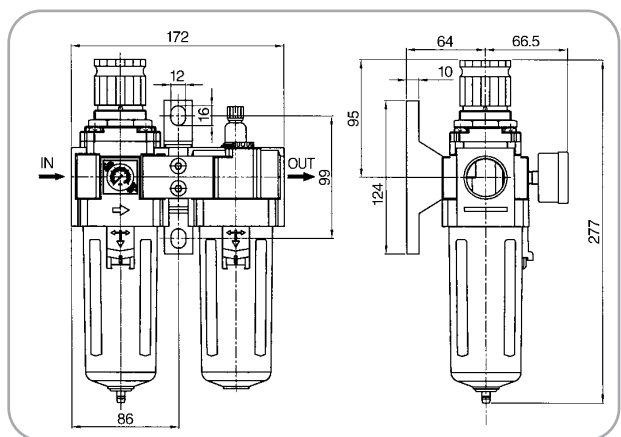
■ AC301A-02,03



■ AC401A-03,04



■ AC501A-06,08



■ AC601A-06,08

