

AC Air Source Treatment Unit

Filter+Regulator+Lubricator

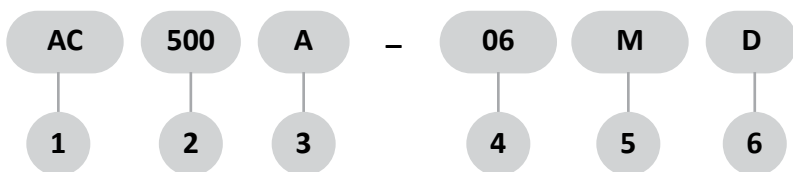
Specification:

Type	AC200/A-01,02	AC300/A-02,03	AC400/A-03,04	AC500/A-06,08	AC600/A-06,08
Port size G	1/8" .1/4"	1/4" .3/8"	3/8" .1"	3/4" .1"	3/4" .1"
Gauge thread G	1/8"		1/4"		
Fluid	Compressed Air				
Operating pressure range MPa	0.15~0.85				
Max.Flow rate L/min	1000	2000	3500	5000	
Ambient temperature °C	0.10 ~ 60				
Filter precision	5µm or 40 µm				
Oil recommended	ISO VG32				
Cup material	Polycarbonate				
Structure	Overflow type				
Optional	Guard cup	-	●	●	●
	Bracket	20T	30T	40T	50T

Notes 1:The guard cup of AC200A ser,es can be optional 2: The cups of AC200A,AC300A series can be optional

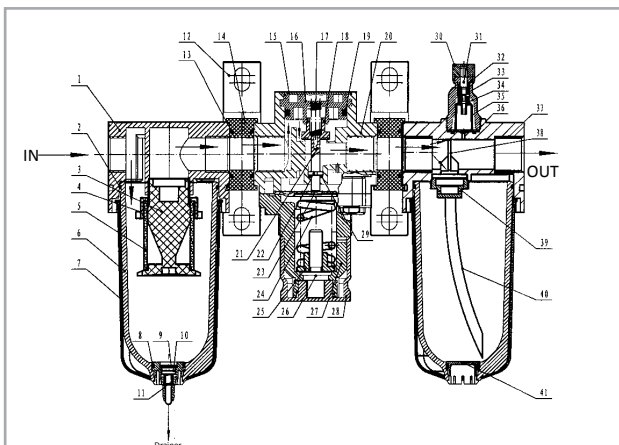


How to order:



1	AC Filter+Regulator+Lubricator
2	Type: 200,300,400,500,600
3	A: Improved type ; Blank: Old type
4	Port size: 01:G1/8",02:G1/4",03:G3/8",04:G1/2",06:G3/4",08:G1"
5	M: Embed square gauge; Blank: Round gauge
6	□: Differential pressure drain , D: Auto-drain;

Inner structure drawing:

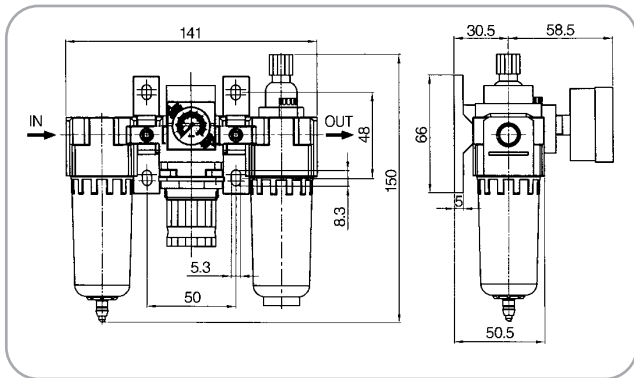


No	code	No	code	No	code
1	filter body	15	panel	29	O-ring
2	O-ring	16	pedestal	30	doom button
3	baffle body	17	regulator core spring	31	adjust pin
4	impeller	18	O-ring	32	O-ring
5	cartridge	19	O-ring	33	middle doom
6	oil cup	20	regulator body	34	O-ring
7	guard cup	21	regulator core	35	doom inner cover
8	O-ring	22	regulator core washer	36	O-ring
9	circlip	23	diaphragm	37	lubricator body
10	drain nozzle	24	regulator spring	38	damping fin
11	drain spring	25	nut	39	bolt
12	bracket	26	screw	40	oil tube
13	O-ring	27	regulator cover	41	oil cup block
14	connecting block	28	knob		

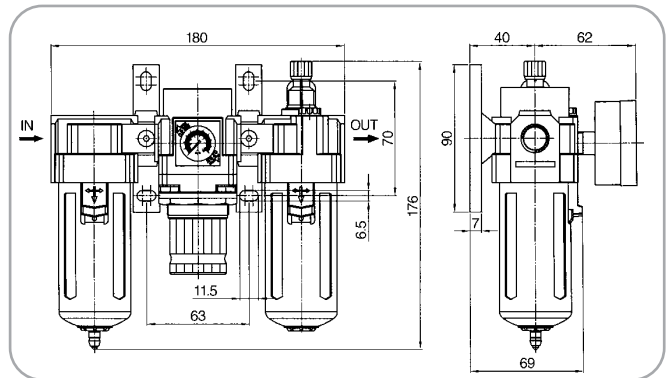
AC Air Source Treatment Unit

Dimension (mm):

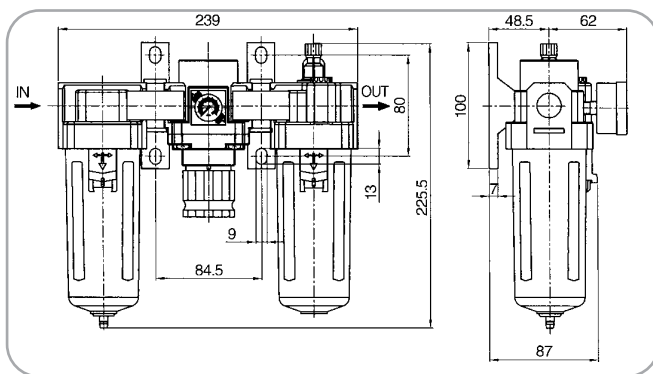
■ AC200A-01,02



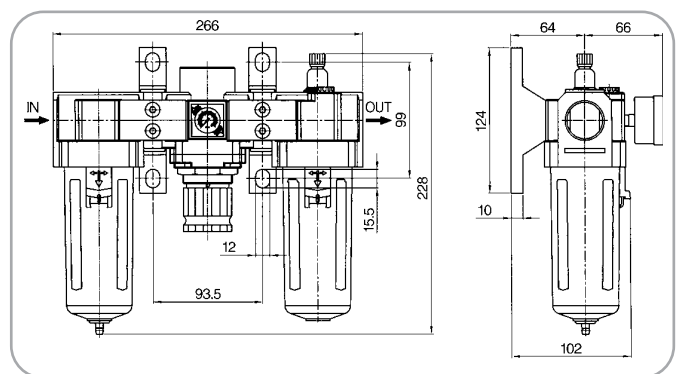
■ AC300A-02,03



■ AC400A-03,04



■ AC500A-06,08



■ AC600A-06,08

