

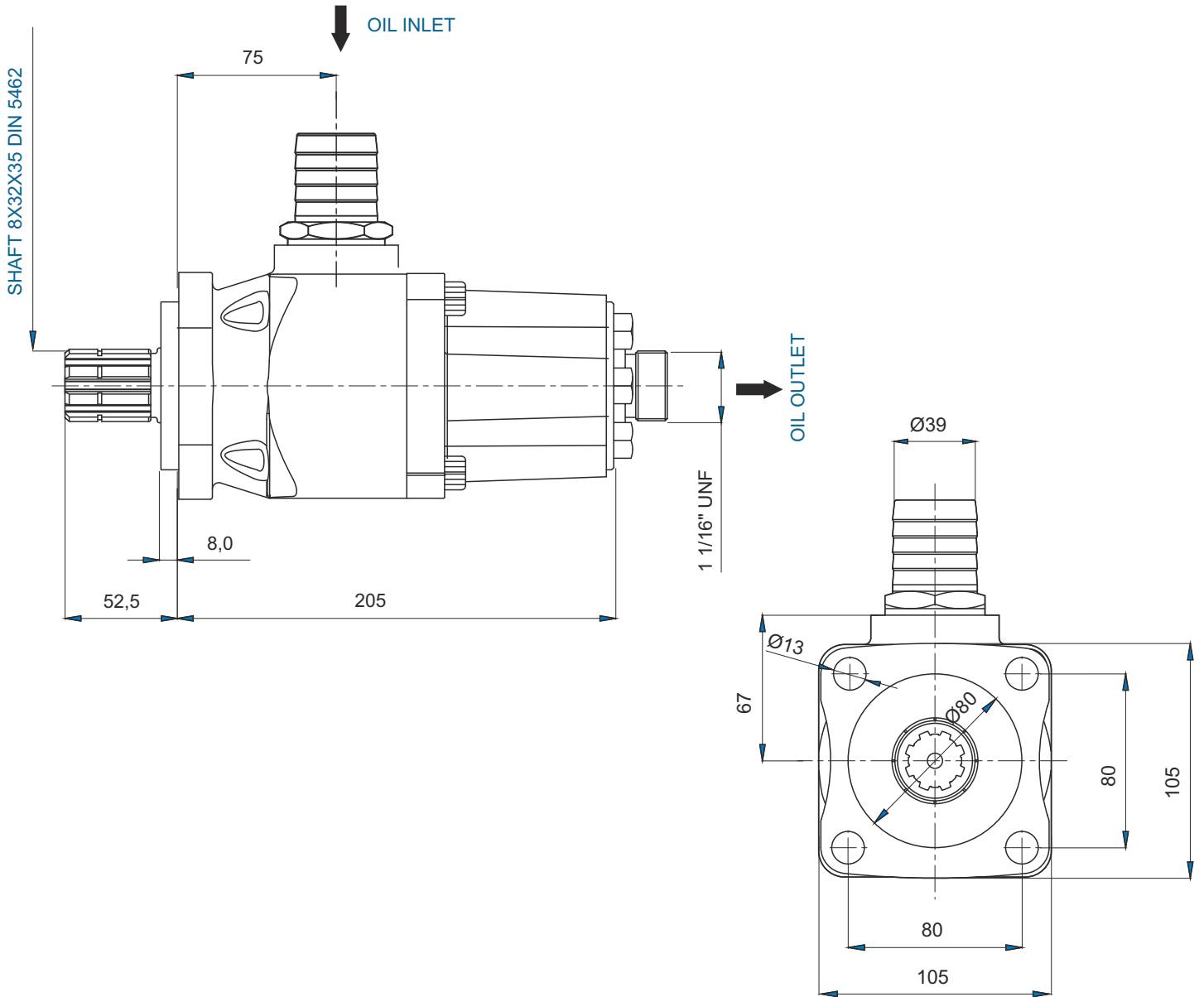
# Range and Characteristics



Pump Type	Displacement <sup>cc</sup>	Max. <sup>n(min<sup>-1</sup>)</sup> Continuous Speed	Min. <sup>n(min<sup>-1</sup>)</sup> Intermittent Speed	Max. <sup>n(min<sup>-1</sup>)</sup> Intermittent Speed	Max. <sup>bar</sup> Continuous Pressure	Max. <sup>bar</sup> Intermittent Pressure	Max. <sup>bar</sup> Peak Pressure	Weight <sup>kg</sup> without inlet fitting	Weight <sup>kg</sup> with inlet fitting
PA 45	46,70	1800	400	2400	330/4786	360/5221	500/1251	14,70	15,10
PA 55	54,60	1800	400	2400	330/4786	360/5221	500/1251	15,00	15,40
PA 80	84,50	1500	300	2000	300/4351	350/5076	450/6526	19,50	19,90
PA 90	92,20	1500	300	2000	300/4351	350/5076	450/6526	19,71	21,10

Pump Type	Oil Inlet	Oil Outlet	Fluid	Rotation
PA 45	R1 1/4"	R 1"	Mineral based hydraulic oils	Bi-Directional
PA 55	R1 1/4"	R 1"	Mineral based hydraulic oils	Bi-Directional
PA 80	R1 1/4"	R 1"	Mineral based hydraulic oils	Bi-Directional
PA 90	R1 1/4"	R 1"	Mineral based hydraulic oils	Bi-Directional

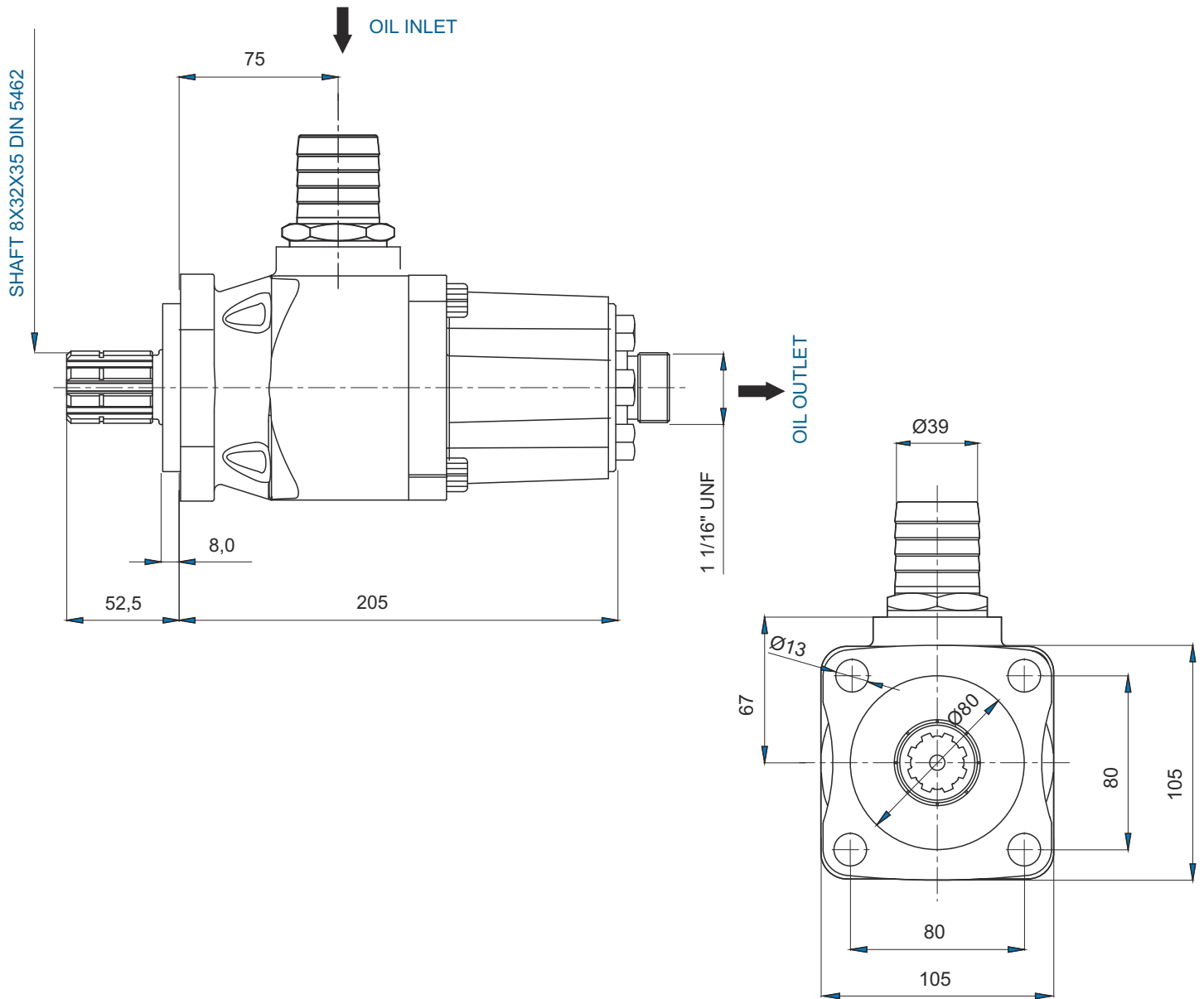
# PA 45 cc



Pump Type	Displacement <sup>cc</sup>	Max. <sup>n</sup> (min <sup>-1</sup> ) Continuous Speed	Min. <sup>n</sup> (min <sup>-1</sup> ) Intermittent Speed	Max. <sup>n</sup> (min <sup>-1</sup> ) Intermittent Speed	Max. <sup>bar</sup> Continuous Pressure	Max. <sup>bar</sup> Intermittent Pressure	Max. <sup>bar</sup> Peak Pressure	Weight <sup>kg</sup> without inlet fitting	Weight <sup>kg</sup> with inlet fitting
PA 45	46,70	1800	400	2400	330/4786	360/5221	500/1251	14,70	15,10

Pump Type	Oil Inlet	Oil Outlet	Fluid	Rotation
PA 45	R1 1/4"	R 1"	Mineral based hydraulic oils	Bi-Directional

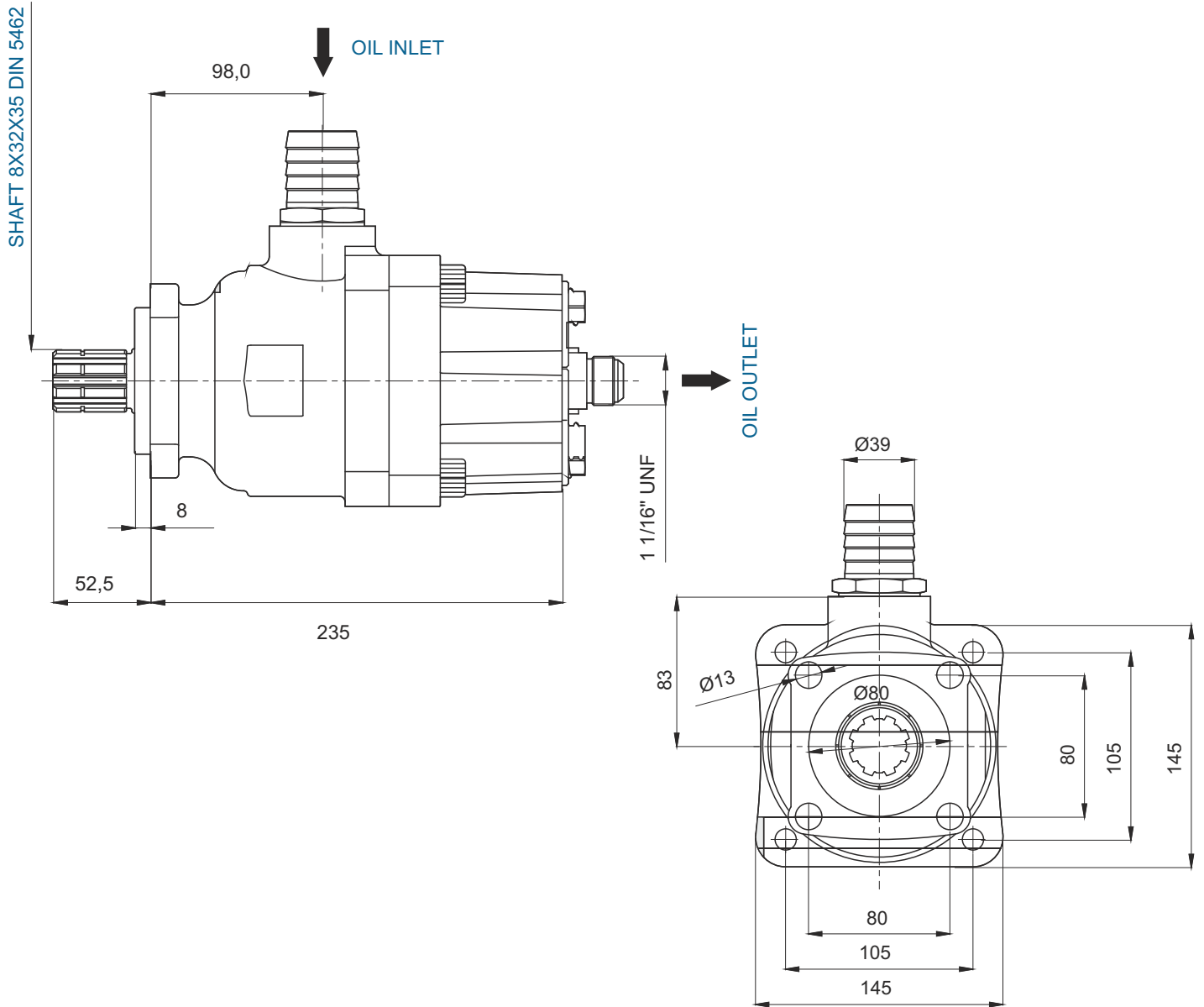
# PA 55 cc



Pump Type	Displacement <sup>cc</sup>	Max. <sup>n</sup> (min <sup>-1</sup> ) Continuous Speed	Min. <sup>n</sup> (min <sup>-1</sup> ) Intermittent Speed	Max. <sup>n</sup> (min <sup>-1</sup> ) Intermittent Speed	Max. <sup>bar</sup> Continuous Pressure	Max. <sup>bar</sup> Intermittent Pressure	Max. <sup>bar</sup> Peak Pressure	Weight <sup>kg</sup> without inlet fitting	Weight <sup>kg</sup> with inlet fitting
PA 55	54,60	1800	400	2400	330/4786	360/5221	500/1251	15,00	15,40

Pump Type	Oil Inlet	Oil Outlet	Fluid	Rotation
PA 55	R1 1/4"	R 1"	Mineral based hydraulic oils	Bi-Directional

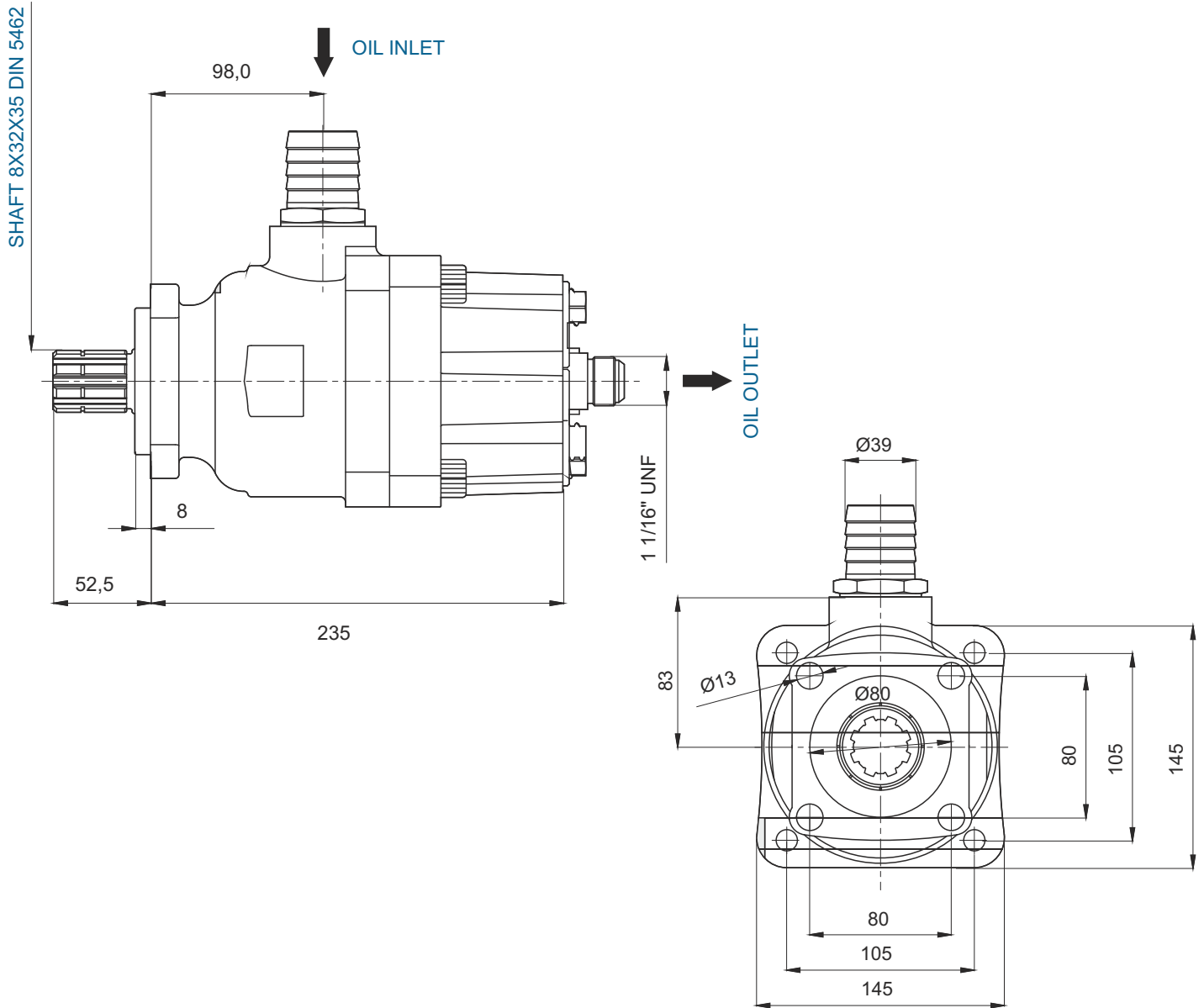
# PA 80 cc



Pump Type	Displacement <sup>cc</sup>	Max. <sup>n</sup> (min <sup>1</sup> ) Continuous Speed	Min. <sup>n</sup> (min <sup>1</sup> ) Intermittent Speed	Max. <sup>n</sup> (min <sup>1</sup> ) Intermittent Speed	Max. <sup>bar</sup> Continuous Pressure	Max. <sup>bar</sup> Intermittent Pressure	Max. <sup>bar</sup> Peak Pressure	Weight <sup>kg</sup> without inlet fitting	Weight <sup>kg</sup> with inlet fitting
PA 80	84,50	1500	300	2000	300/4351	350/5076	450/6526	19,50	19,90

Pump Type	Oil Inlet	Oil Outlet	Fluid	Rotation
PA 80	R1 1/4"	R 1"	Mineral based hydraulic oils	Bi-Directional

# PA 90 cc



Pump Type	Displacement <sup>cc</sup>	Max. <sup>n</sup> (min <sup>1</sup> ) Continuous Speed	Min. <sup>n</sup> (min <sup>1</sup> ) Intermittent Speed	Max. <sup>n</sup> (min <sup>1</sup> ) Intermittent Speed	Max. <sup>bar</sup> Continuous Pressure	Max. <sup>bar</sup> Intermittent Pressure	Max. <sup>bar</sup> Peak Pressure	Weight <sup>kg</sup> without inlet fitting	Weight <sup>kg</sup> with inlet fitting
PA 90	92,20	1500	300	2000	300/4351	350/5076	450/6526	19,71	21,10

Pump Type	Oil Inlet	Oil Outlet	Fluid	Rotation
PA 90	R1 1/4"	R 1"	Mineral based hydraulic oils	Bi-Directional