

# WVS0.S08 Valve Series

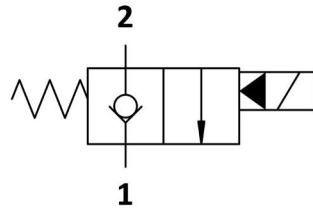
**SAE Cartridge - 350 bar**  
**NC Single Lock Pilot Operated - Poppet Type**

**Description**  
 Solenoid operated, 2-way 2-positions, normally closed, piloted poppet type, screw-in cartridge valve.  
 Typically used as a blocking or load holding device for high pressure circuits. When the coil is de-energized, the WVS0.S08 acts as check valve allowing free flow from 1 to 2, while blocking from 2 to 1. When the coil is energized the poppet lifts and opens the 2 to 1 flow path. In this operation mode, flow from 1 to 2 is severely restricted.  
 The rigid design using a 1-piece body contributes to minimize the effect of eccentricities in cavity and provides great reliability. Low pressure drop thanks to optimized flow path.

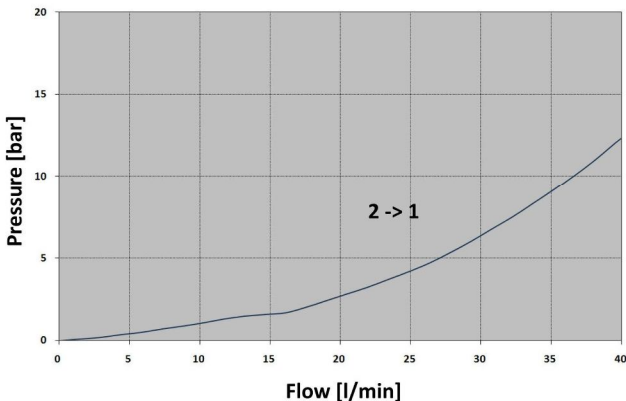
**Technical Features**  
 All external surfaces are zinc plated and corrosion-proof.  
 All valve parts are made of high strength steel. Poppet is hardened and ground to ensure minimal wear and extended service life.  
 Coil seals protect the solenoid system.  
 Manual override options.  
 Industry SAE common cavity.



## Symbols



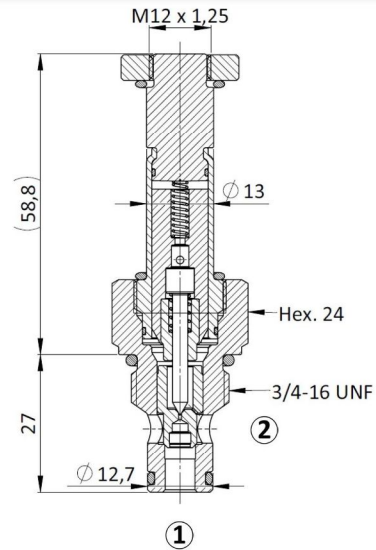
## Performance Details



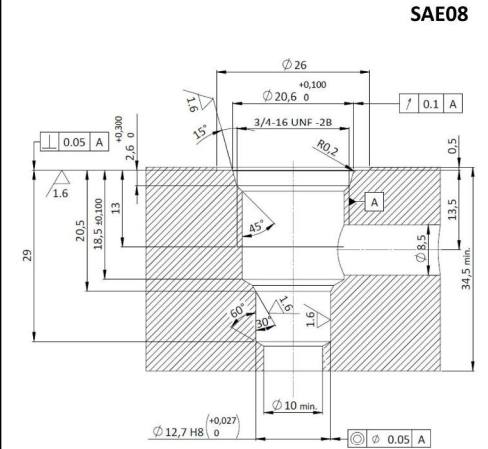
**Technical Data**  
 Maximum operating pressure: 350 bar  
 Maximum flow: 40 l/min  
 Internal leakage: max 5 drops/min @ 350 bar  
 Response time: Energized 30 ms, De-energized 50 ms (typical 24V DC coil)  
 Temperature: -30°C to 110°C  
 Fluids: Mineral-based or synthetics with lubricating properties at viscosities of 7.4 to 420 cSt  
 Minimum pull-in voltage: 85% of nominal  
 Orientation: no restrictions  
 Installation torque: 40-45 Nm  
 Seal kit code: SK.030 and SK.027 (coil)  
 Weight: 0.110 kg

**NOTE:** The performance chart illustrates flow handling capacity in both directions (1 to 2 de-energized, 2 to 1 energized). P/Q curve is recorded at TOil = 40°C and 46 cSt

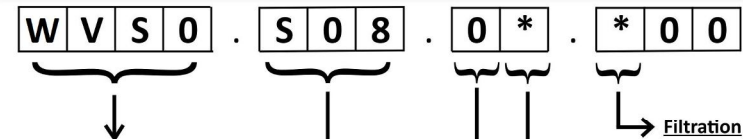
## Cross Section



## Cavity Details



## Ordering Code



**Valve basic code**

**Cavity**

S08 = 3/4-16 UNF with Ø12,7 nose size  
 Other available options:  
 S09 = 3/4-16 UNF with Ø15,86 nose size  
 M20 = M20 x 1,5 with Ø15 nose size

**Manual override**

**Marking**

0 = Standard factory marking  
 Customized markings can be done upon request

## Manual Override

## Filtration

## Coil

Model Code	Type of override	Model Code	Type of filter
0	No override	N	No filter
1	Screw	F	Standard filter (mesh size 280 µm)
2	Push & Twist	Customized filters can be done upon request	
6	Pull & Hold		



Use 18W coil to operate this valve.