

## WVNO.S08 Valve Series

**SAE Cartridge - 300 bar  
NO Single Lock Pilot Operated - Poppet Type**

### Description

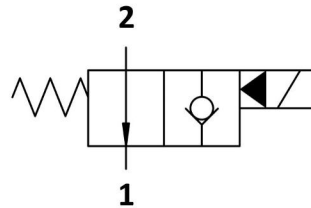
Solenoid operated, 2-way 2-positions, normally open, piloted poppet type, screw-in cartridge valve.  
Typically used as a blocking or load holding device for high pressure circuits. When the coil is de-energized, the WVNO.S08 allows flow from 2 to 1, while flow from 1 to 2 is severely restricted. When the coil is energized the valve closes, blocking flow from 2 to 1.  
In this mode, flow from 1 to 2 is allowed once the pressure overcomes the force of the solenoid.  
The rigid design using a 1-piece body contributes to minimize the effect of eccentricities in cavity and provides great reliability. Low pressure drop thanks to optimized flow path.

### Technical Features

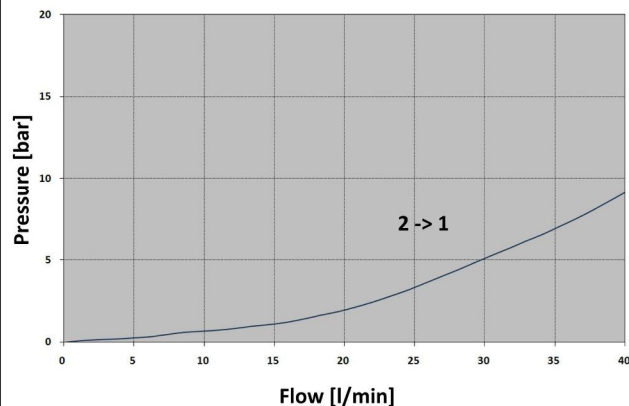
All external surfaces are zinc plated and corrosion-proof.  
All valve parts are made of high strength steel. Poppet is hardened and ground to ensure minimal wear and extended service life.  
Coil seals protect the solenoid system.  
Manual override option.  
Industry SAE common cavity.



### Symbols



### Performance Details

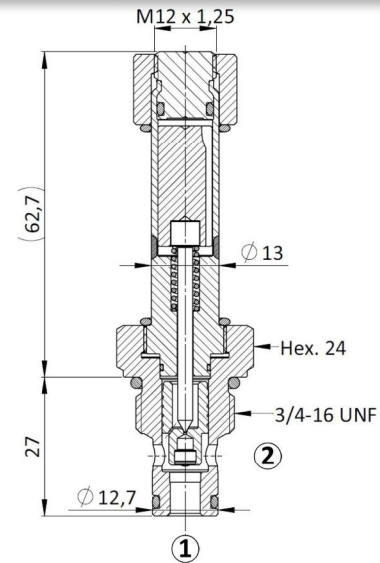


### Technical Data

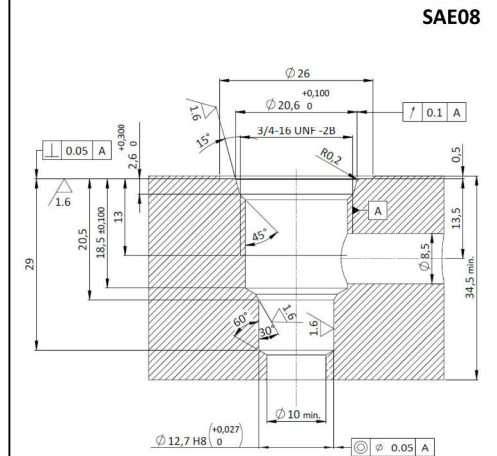
Maximum operating pressure: 300 bar  
Maximum flow: 40 l/min  
Internal leakage: max 5 drops/min @ 300 bar  
Response time: Energized 20 ms, De-energized 30 ms (typical 24V DC coil)  
Temperature: -30°C to 110°C  
Fluids: Mineral-based or synthetics with lubricating properties at viscosities of 7.4 to 420 cSt  
Minimum pull-in voltage: 85% of nominal  
Orientation: no restrictions  
Installation torque: 40-45 Nm  
Seal kit code: SK.030 and SK.027 (coil)  
Weight: 0.120 kg

**NOTE:** The performance chart illustrates flow handling capacity in both directions (1 to 2 energized, 2 to 1 de-energized). P/Q curves are recorded at TOil = 40°C and 46 cSt

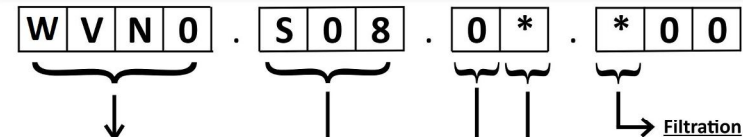
### Cross Section



### Cavity Details



### Ordering Code



**Valve basic code**

#### Cavity

S08 = 3/4-16 UNF with  $\varnothing 12,7$  nose size  
Other available options:  
S09 = 3/4-16 UNF with  $\varnothing 15,86$  nose size

**Filtration**

**Manual override**

#### Marking

0 = Standard factory marking  
Customized markings can be done upon request

### Manual Override

Model Code	Type of override
0	No override
3	Push pin
4	Push knob
5	Screw

### Filtration

Model Code	Type of filter
N	No filter
F	Standard filter (mesh size 280 $\mu$ m)
Customized filters can be done upon request	

### Coil



Use 18W coil to operate this valve.