

WVM0.S08 Valve Series

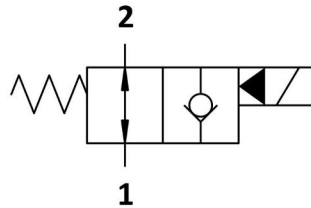
SAE Cartridge - 300 bar
NO Single Lock Pilot Operated - Poppet Type

Description
 Solenoid operated, 2-way 2-positions, normally open, piloted poppet type, screw-in cartridge valve.
 Typically used as a blocking or load holding device for high pressure circuits. When the coil is de-energized, the WVM0.S08 allows flow bidirectionally from 2 to 1, and from 1 to 2.
 When the coil is energized the valve closes, blocking flow from 2 to 1.
 In this mode, flow from 1 to 2 is allowed once the pressure overcomes the force of the solenoid.
 The rigid design using a 1-piece body contributes to minimize the effect of eccentricities in cavity and provides great reliability.
 Low pressure drop thanks to optimized flow path.

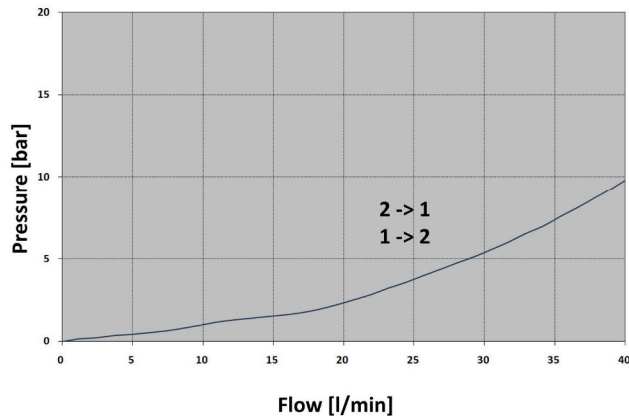
Technical Features
 All external surfaces are zinc plated and corrosion-proof.
 All valve parts are made of high strength steel. Poppet is hardened and ground to ensure minimal wear and extended service life.
 Coil seals protect the solenoid system.
 Manual override option.
 Industry SAE common cavity.



Symbols



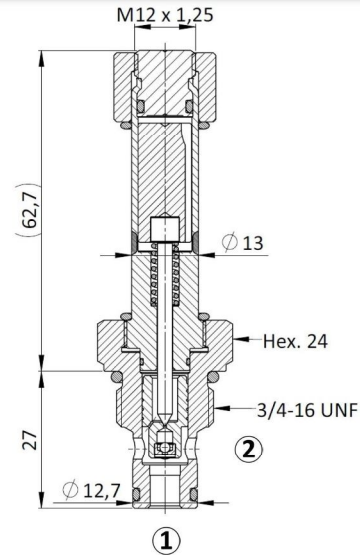
Performance Details



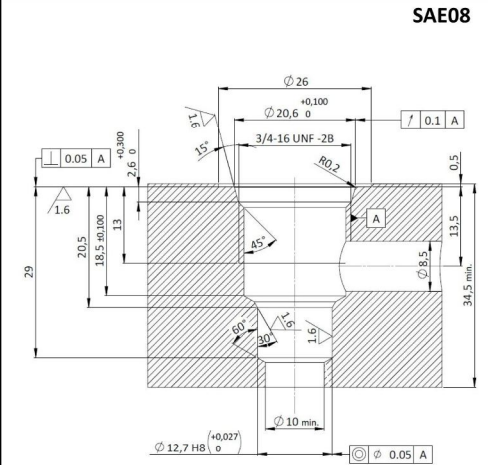
Technical Data
 Maximum operating pressure: 300 bar
 Maximum flow: 40 l/min
 Internal leakage: max 5 drops/min @ 300 bar
 Response time: Energized 20 ms, De-energized 30 ms (typical 24V DC coil)
 Temperature: -30°C to 110°C
 Fluids: Mineral-based or synthetics with lubricating properties at viscosities of 7.4 to 420 cSt
 Minimum pull-in voltage: 85% of nominal
 Orientation: no restrictions
 Installation torque: 40-45 Nm
 Seal kit code: SK.031 and SK.027 (coil)
 Weight: 0.130 kg

NOTE: The performance chart illustrates flow handling capacity in both directions (1 to 2 energized, 2 to 1 de-energized). P/Q curves are recorded at TOil = 40°C and 46 cSt

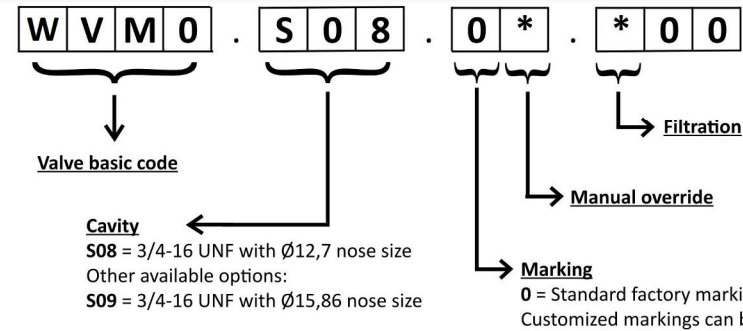
Cross Section



Cavity Details



Ordering Code



Manual Override

Model Code	Type of override
0	No override
3	Push pin
4	Push knob
5	Screw

Filtration

Model Code	Type of filter
N	No filter
F	Standard filter (mesh size 280 µm)
Customized filters can be done upon request	

Coil



Use 18W coil to operate this valve.