

WVLO.S08 Valve Series

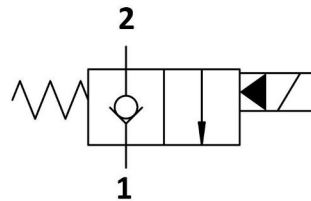
SAE Cartridge - 250 bar
NC Single Lock Pilot Operated - Poppet Type

Description
 Solenoid operated, 2-way 2-positions, normally closed, piloted poppet type, screw-in cartridge valve.
 Typically used as a blocking or load holding device for high pressure circuits. When the coil is de-energized, the WVLO.S08 acts as check valve allowing free flow from 1 to 2, while blocking from 2 to 1. When the coil is energized the poppet lifts and opens the 2 to 1 flow path. In this operation mode, flow from 1 to 2 is severely restricted.
 The rigid design using a 1-piece body contributes to minimize the effect of eccentricities in cavity and provides great reliability. Low pressure drop thanks to optimized flow path.

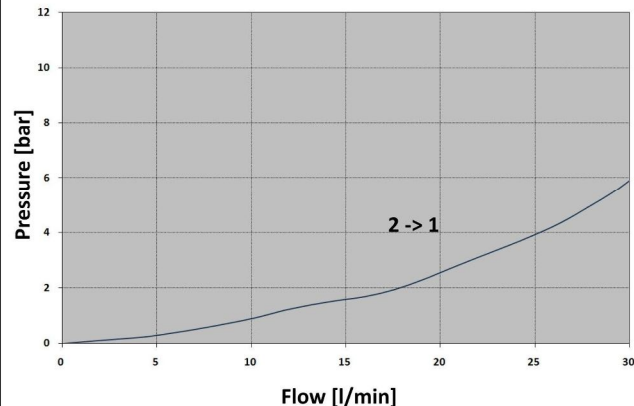
Technical Features
 All external surfaces are zinc plated and corrosion-proof.
 All valve parts are made of high strength steel. Poppet is hardened and ground to ensure minimal wear and extended service life.
 Coil seals protect the solenoid system.
 Manual override options.
 Industry SAE common cavity.



Symbols



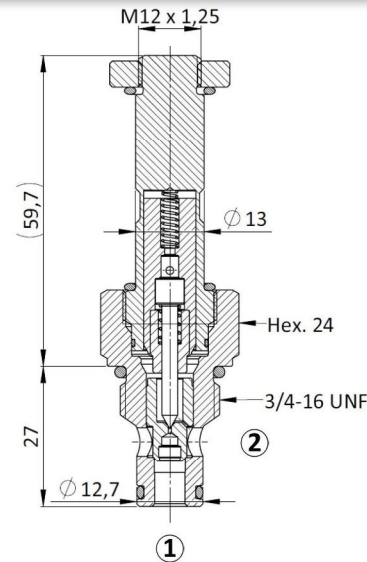
Performance Details



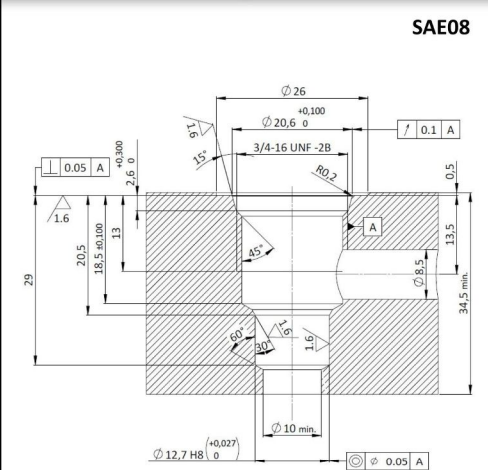
Technical Data
 Maximum operating pressure: 250 bar
 Maximum flow: 30 l/min
 Internal leakage: max 5 drops/min @ 250 bar
 Response time: Energized 30 ms, De-energized 50 ms (typical 24V DC coil)
 Temperature: -30°C to 110°C
 Fluids: Mineral-based or synthetics with lubricating properties at viscosities of 7.4 to 420 cSt
 Minimum pull-in voltage: 85% of nominal
 Orientation: no restrictions
 Installation torque: 40-45 Nm
 Seal kit code: SK.030 and SK.027 (coil)
 Weight: 0.120 kg

NOTE: The performance chart illustrates flow handling capacity in both directions (1 to 2 de-energized, 2 to 1 energized). P/Q curve is recorded at TOil = 40°C and 46 cSt

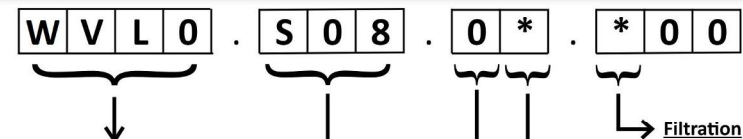
Cross Section



Cavity Details



Ordering Code



Valve basic code

Cavity

S08 = 3/4-16 UNF with Ø12,7 nose size
 Other available options:
 S09 = 3/4-16 UNF with Ø15,86 nose size
 M20 = M20 x 1,5 with Ø15 nose size

Manual override

Marking

0 = Standard factory marking
 Customized markings can be done upon request

Manual Override

Model Code	Type of override
0	No override
1	Screw
2	Push & Twist
6	Pull & Hold

Filtration

Model Code	Type of filter
N	No filter
F	Standard filter (mesh size 280 µm)
Customized filters can be done upon request	

Coil



Use 18W coil to operate this valve.