

WVD5.S08 Valve Series

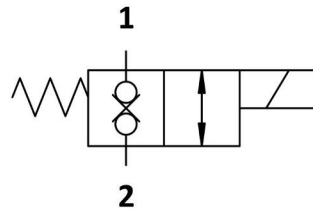
**SAE Cartridge - 250 bar
NC Double Lock Direct Acting - Poppet Type**

Description
Solenoid operated, 2-way 2-positions, normally closed, direct acting poppet type, bi-directional blocking, screw-in cartridge valve. Special design for low leakage in load holding applications. When the coil is de-energized, the WVD5.S08 blocks flow in both directions. Once the coil is energized, the valve's poppet opens and allows free flow from 1 to 2 and from 2 to 1. The rigid design using a 1-piece body contributes to minimize the effect of eccentricities in cavity and provides great reliability. Low pressure drop thanks to optimized flow path. Override option: to manually override, push and hold the override pin/knob.

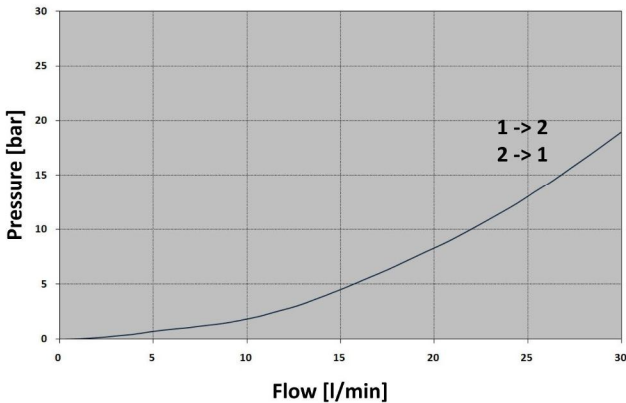
Technical Features
All external surfaces are zinc plated and corrosion-proof. All valve parts are made of high strength steel. Poppet is hardened and ground to ensure minimal wear and extended service life. Coil seals protect the solenoid system. Manual override option. Industry SAE common cavity.



Symbols



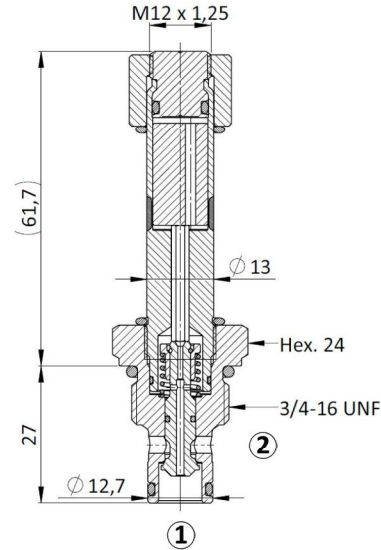
Performance Details



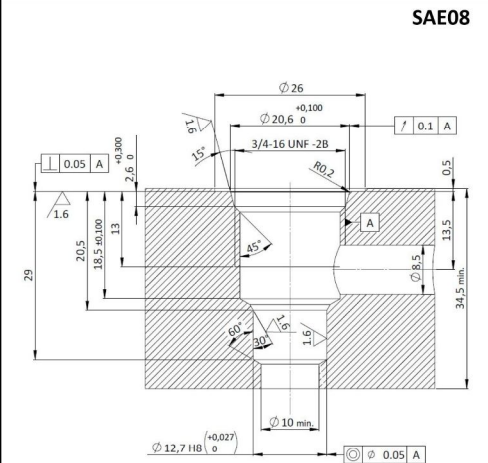
Technical Data
Maximum operating pressure: 250 bar
Maximum flow: 30 l/min
Internal leakage: max 5 drops/min @ 250 bar
Response time: Energized 20 ms, De-energized 40 ms (typical 24V DC coil)
Temperature: -30°C to 110°C
Fluids: Mineral-based or synthetics with lubricating properties at viscosities of 7.4 to 420 cSt
Minimum pull-in voltage: 85% of nominal
Orientation: no restrictions
Installation torque: 40-45 Nm
Seal kit code: SK.003 and SK.027 (coil)
Weight: 0.120 kg

NOTE: The performance chart illustrates flow handling capacity in both directions (1 to 2 and 2 to 1). P/Q curves are recorded at TOil = 40°C and 46 cSt

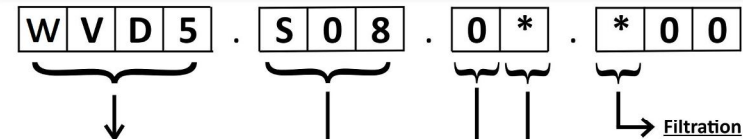
Cross Section



Cavity Details



Ordering Code



Valve basic code

Cavity

S08 = 3/4-16 UNF with Ø12,7 nose size
Other available options:
S09 = 3/4-16 UNF with Ø15,86 nose size
M20 = M20 x 1,5 with Ø15 nose size

Manual override

Marking

0 = Standard factory marking
Customized markings can be done upon request

Manual Override

Model Code	Type of override
0	No override
3	Push pin
4	Push knob
5	Screw

Filtration

Model Code	Type of filter
N	No filter
F	Standard filter (mesh size 280 µm)
Customized filters can be done upon request	

Coil



Use 22W coil to operate this valve.