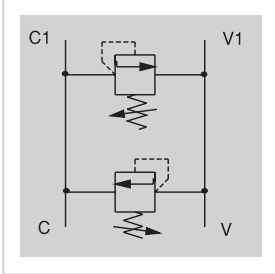


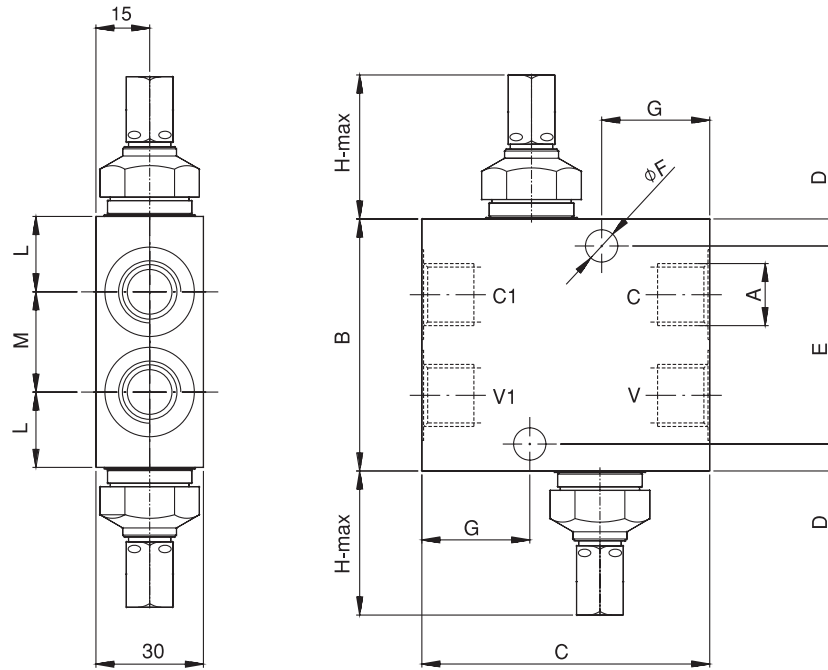
DİREKT ETKİLİ ÇAPRAZ EMNİYET VALFLER DOUBLE CROSS LINE DIRECT ACTING RELIEF VALVES

VBDC



Direkt etkili ikiz çapraz emniyet valfler tip VBDC hidrolik sistemdeki motor ve silindirlere gelen yükteki dalgalanmayı önler.

The double cross line direct acting relief valves type VBDC are typically used to protect a hydraulic motor or cylinder from load-induced pressure surges.



TEKNİK ÖZELLİKLER / FEATURES

Kod Code	A	Valf tipi Type of valve	Max. debi Max flow l/min	Max. basınç Max Pressure bar	B	C	D	E	F	G	H	L	M	Ağırlık Weight Kg
VBDC140	BSPP 1/4	VMD10	20	350	60	70	5,5	49	6,5	21	53	14,5	22	
VBDC380	BSPP 3/8	VMD40	40		70	80	7,5	55	9	30	40	21	28	
VBDC120	BSPP 1/2	VMD40	40										18,5	33

SİPARİŞ KODU / ORDERING CODE

