

2-WAY BALL VALVES WITH THREADED CONNECTIONS



How to order

KHB - G1/2 - 1 1 1 2
 (1) (2) (3) (4) (5) (6)

(1) Model: KHB:Square body DN 04 - DN 25
 KHM:Eight - square body DN 32 - DN 50

(4) Ball & stem material 1= Carbon steel
 4=Stainless steel 304

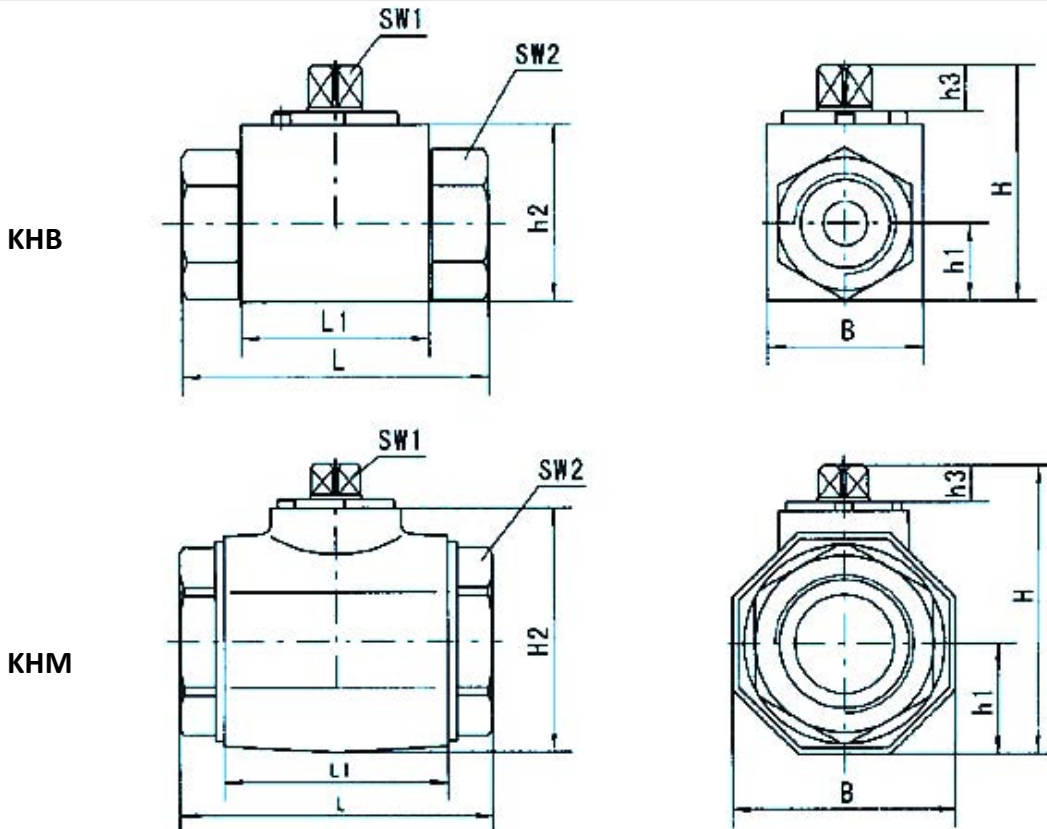
(2) Therad size:e.g. G1/2

(5) Ball seat material: 1=POM 4 = PTFE

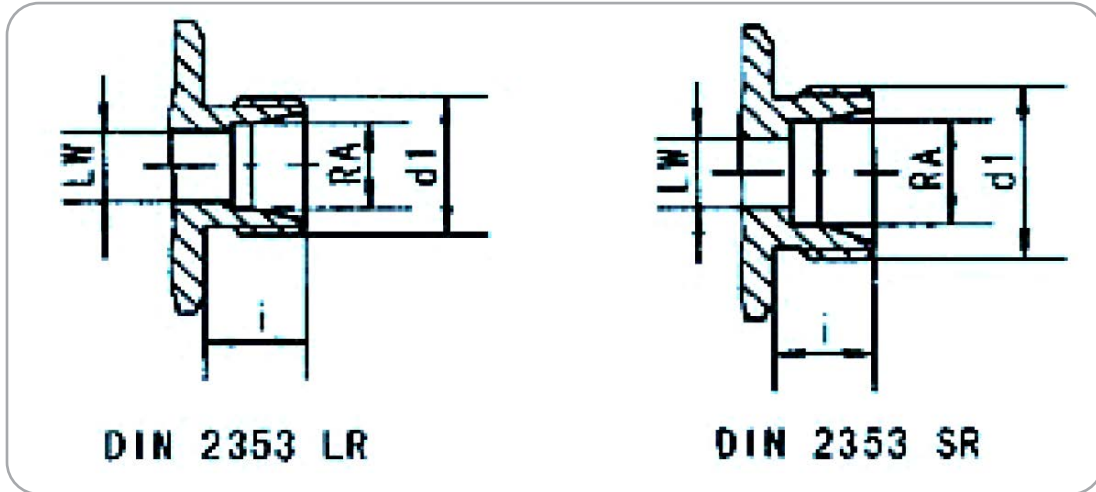
(3) Block and connection material: 1=Carbon steel
 4=Stainless steel 304

(6)Connection & stem seal:2=NBR 4=FPM(Viton)

Dimensions



2-WAY BALL VALVES WITH THREADED CONNECTIONS



DIN 2353 LR

DIN 2353 SR

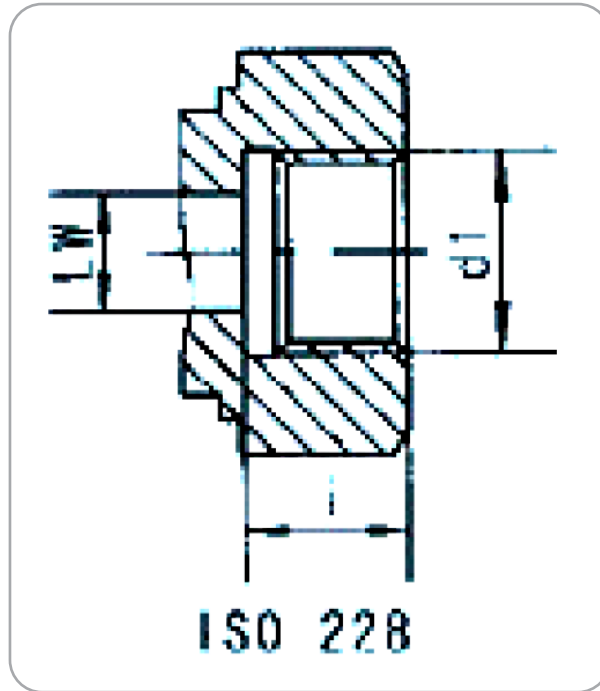
DIN 2353 Light series

Model	DN	PN	LW	RA	d1	i	L	L1	B	H	h1	h2	h3	SW1	SW2
KHB-06LR	4	500	4	6	M12x1.5	10	67	37	28	44.5	13	32	8	9	22
KHB-08LR	6	500	6	8	M14x1.5	10	67	37	28	44.5	13	32	8	9	22
KHB-10LR	8	500	8	10	M16x1.5	11	74	42	32	52.5	17	40	8	9	27
KHB-12LR	10	500	10	12	M18x1.5	11	74	42	32	52.5	17	40	8	9	27
KHB-15LR	13	500	13	15	M22x1.5	12	82	48	35	52.5	17	40	8	9	30
KHB-15LR	13	400	13	15	M22x1.5	12	82	47	38	63.5	19	46	11	12	32
KHB-18LR	13	500	13	18	M26x1.5	12	82	48	35	52.5	17	40	8	9	30
KHB-18LR	16	400	15	18	M26x1.5	12	82	47	38	63.5	19	46	11	12	32
KHB-22LR	20	315	19	22	M30x2	14	101	60	48	75	24	57	12	14	41
KHB-28LR	25	315	25	28	M36x2	14	108	65	57	82	28.5	64	12	14	50
KHB-35LR	25/32	315	25	35	M45x2	16	112	65	60	82	28.5	64	12	14	50
KHM-35LR	32	315	30	35	M45x2	16	141	84	75	104.5	37.5	84	14	17	60
KHM-42LR	40	315	38	42	M52x2	16	162	91	85	115.5	42.5	95	14	17	70

DIN 2353 Heavy series

Model	DN	PN	LW	RA	d1	i	L	L1	B	H	h1	h2	h3	SW1	SW2
KHB-08SR	4	500	5	8	M16x1.5	12	73	37	28	44.5	13	32	8	9	22
KHB-10SR	6	500	6	10	M18x1.5	12	73	37	28	44.5	13	32	8	9	22
KHB-12SR	8	500	8	12	M20x1.5	12	76	42	32	52.5	17	40	8	9	27
KHB-14SR	10	500	10	14	M22x1.5	14	80	42	32	52.5	17	40	8	9	27
KHB-16SR	13	500	13	16	M24x1.5	14	86	48	35	52.5	17	40	8	9	30
KHB-16SR	13	400	13	16	M24x1.5	14	86	47	38	63.5	19	46	11	12	32
KHB-20SR	13	500	13	20	M30x2	16	90	48	35	52.5	17	40	8	9	32
KHB-20SR	16	400	15	20	M30x2	16	90	47	38	63.5	19	46	11	12	32
KHB-25SR	20	315	20	25	M36x2	18	109	60	48	75	24	57	12	14	41
KHB-30SR	25	315	25	30	M42x2	20	120	65	57	82	28.5	64	12	14	50
KHB-38SR	25/32	315	25	38	M52x2	22	124	65	60	82	28.5	64	12	14	55
KHM-38SR	32	315	30	38	M52x2	22	153	84	75	104.5	37.5	84	14	17	60

2-WAY BALL VALVES WITH THREADED CONNECTIONS



ISO 228 Female

Model	DN	PN	LW	RA	d1	i	L	L1	B	H	h1	h2	h3	SW1	SW2
KHB-G1/8	4	500	6	G1/8	G1/8	10	69	37	28	44.5	13	32	8	9	22
KHB-G1/4	6	500	6	G1/4	G1/4	14	69	37	28	44.5	13	32	8	9	22
KHB-G3/8	10	500	10	G3/8	G3/8	14	72	42	32	52.5	17	40	8	9	27
KHB-G1/2	13	500	13	G1/2	G1/2	16	83	48	35	52.5	17	40	8	9	30
KHB-G1/2	16	400	15	G1/2	G1/2	16	83	47	38	63.5	19	45	11	12	32
KHB-G3/4	20	315	20	G3/4	G3/4	18	95	60	48	75	24	57	12	14	41
KHB-G1	25	315	25	G1	G1	20.5	113	65	57	82	28.5	64	12	14	50
KHB-G1 1/4	25/32	315	25	G1 1/4	G1 1/4	22	120	65	60	82	28.5	64	12	14	55
KHM-G1 1/4	32	315	30	G1 1/4	G1 1/4	22	110	84	75	104.5	37.5	84	14	17	60
KHM-G1 1/2	40	315	38	G1 1/2	G1 1/2	24	130	91	85	115.5	42.5	95	14	17	70
KHM-G2	50	315	48	G2	G2	26	140	100	105	133	52.5	112.5	14	17	80