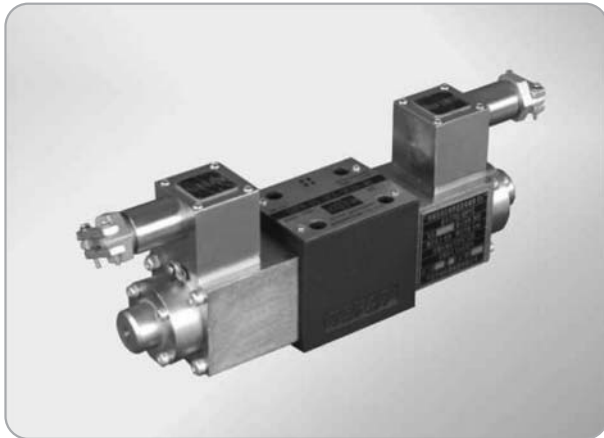


GDFW Eksproof Yön Kontrol Valfleri

GDFW Explosion Isolation Solenoid Directional Control Valve



Technical specification

Specification		02	03
Max. working pressure (MPa)	Oil ports P, A, B	31.5	
	Oil ports T	10	
Max. Flow (L/min)		80	120
Working fluid		Mineral oil; phosphate-ester	
Fluid temp. (°C)		-20~70	
Viscosity (Mm ² /s)		2.8~380	
Working voltage (V)		DC	*AC
		24	127, 220
Cycle time (ms)	Open	25~45	10~20
	Close	10~25	15~40
Max.switch frequency (t/h)		15000	7200
Insulation grade		IP55	
Cleanliness	The maximum allowable cleanliness of the oil should be according to 9th degree of Standard NAS1638. It is suggested that the minimum filter rating should be $\beta 10 \geq 75$.		

* Alternating current power supply, and solenoid with rectification circuit board.

Model instruction

GDFW - * - * - * * / * * 50 *

Explosion isolation solenoid directional control valve

Specification
02 NS 6
03 NS 10

Function code
Details as following symbol table

Working voltage
D24 DC24V
B127 (AC127V Rectified)
B220 (AC220V Rectified)

A Exd I
B Exd II C T4

Remarks

Serial number

Seal material
Omit NBR Seals
V FPM Seals

Omit No damping
08 $\Phi 0.8$ Damping
10 $\Phi 1.0$ Damping
12 $\Phi 1.2$ Damping

Omit without push rod emergency
N9 with concealed push rod emergency

Notice: The corresponding relation between the working pressure and the types of explosion isolation is specified in the page of "Product Brief".

GDFW Eksproof Yön Kontrol Valfleri

GDFW Explosion Isolation Solenoid Directional Control Valve

Code symbol

Spring return

3C2		2B2B		2B2BL	
3C3		2B3B		2B3BL	
3C4		2B4B		2B4BL	
3C5		2B5B		2B5BL	
3C6		2B6B		2B6BL	
3C7		2B7B		2B7BL	
3C9		2B9B		2B9BL	
3C10		2B10B		2B10BL	
3C11		2B11B		2B11BL	
3C12		2B12B		2B12BL	
3C25		2B25B		2B25BL	
3C29		2B29B		2B29BL	

2B2	
2B3	
2B8	

2B2L	
2B3L	
2B8L	

No spring return mechanical positioning

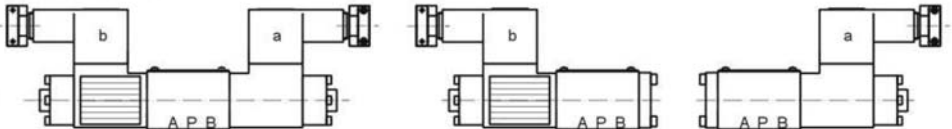
	2D2
	2D3
	2D8

Without spring return or detent

	2N2
	2N3
	2N8

Note: *D* (No spring return mechanical positioning) solenoid directional control valve should be installed horizontally

Name of solenoid

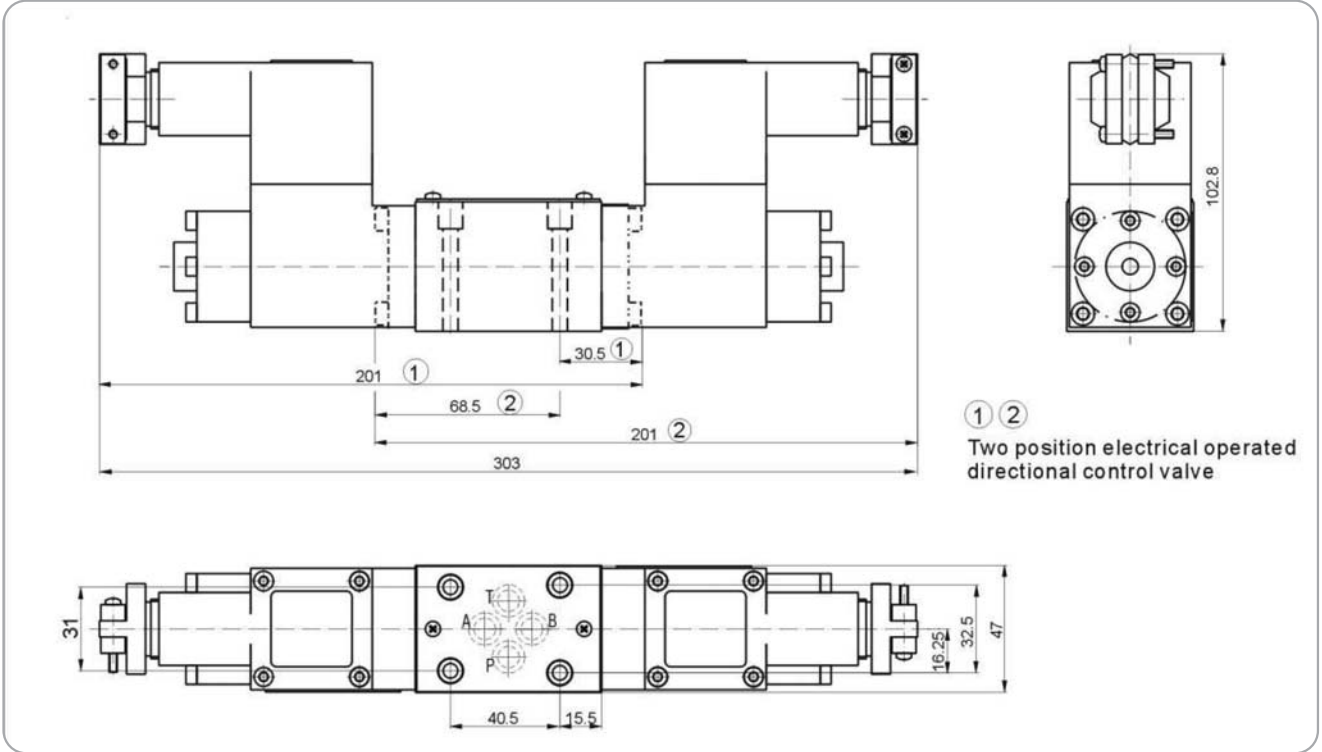


1. When movement a, P → A B → T
2. When movement b, P → B A → T
3. Oil flow in the opposite direction with the above-mentioned movement for 3C5, 3C6, 3C25

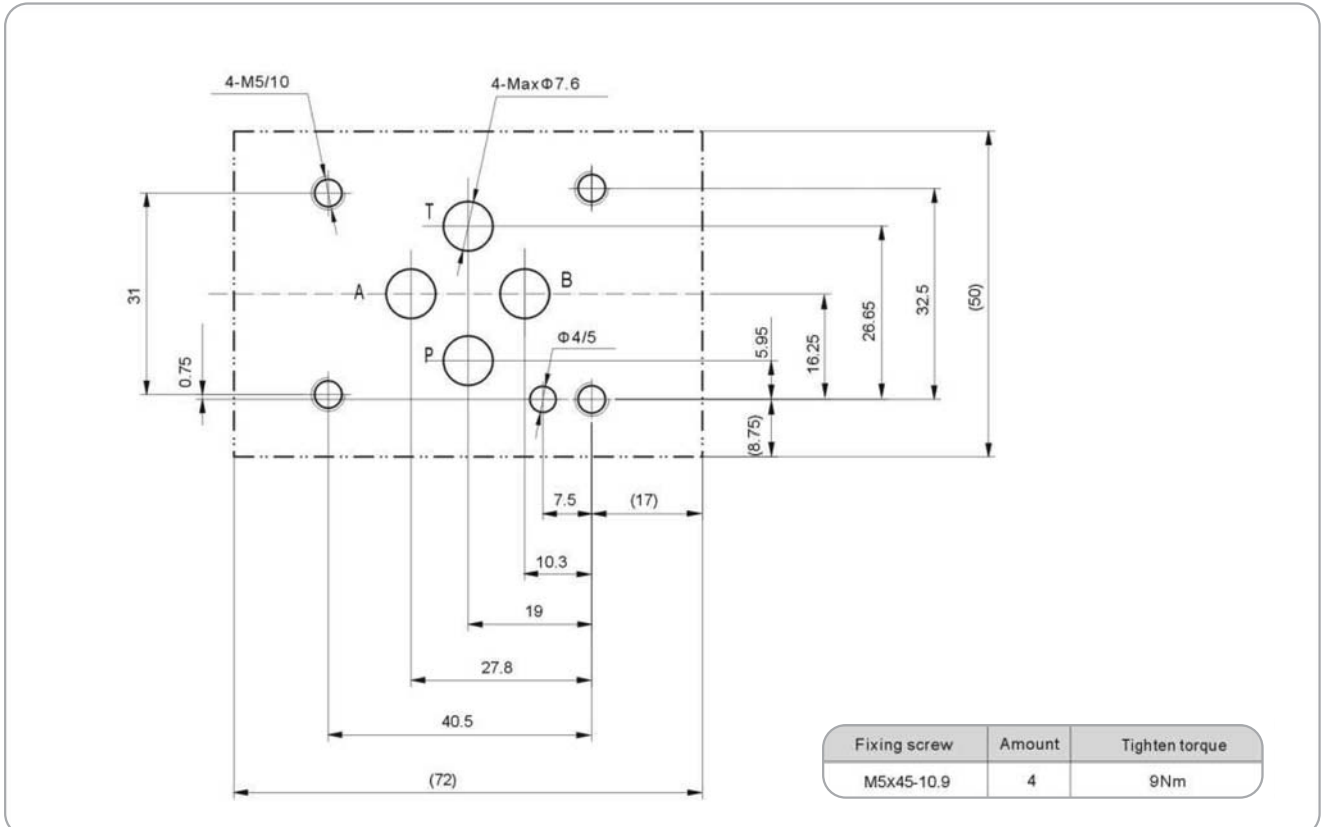
GDFW Eksproof Yön Kontrol Valfleri

GDFW Explosion Isolation Solenoid Directional Control Valve

02 External dimensions



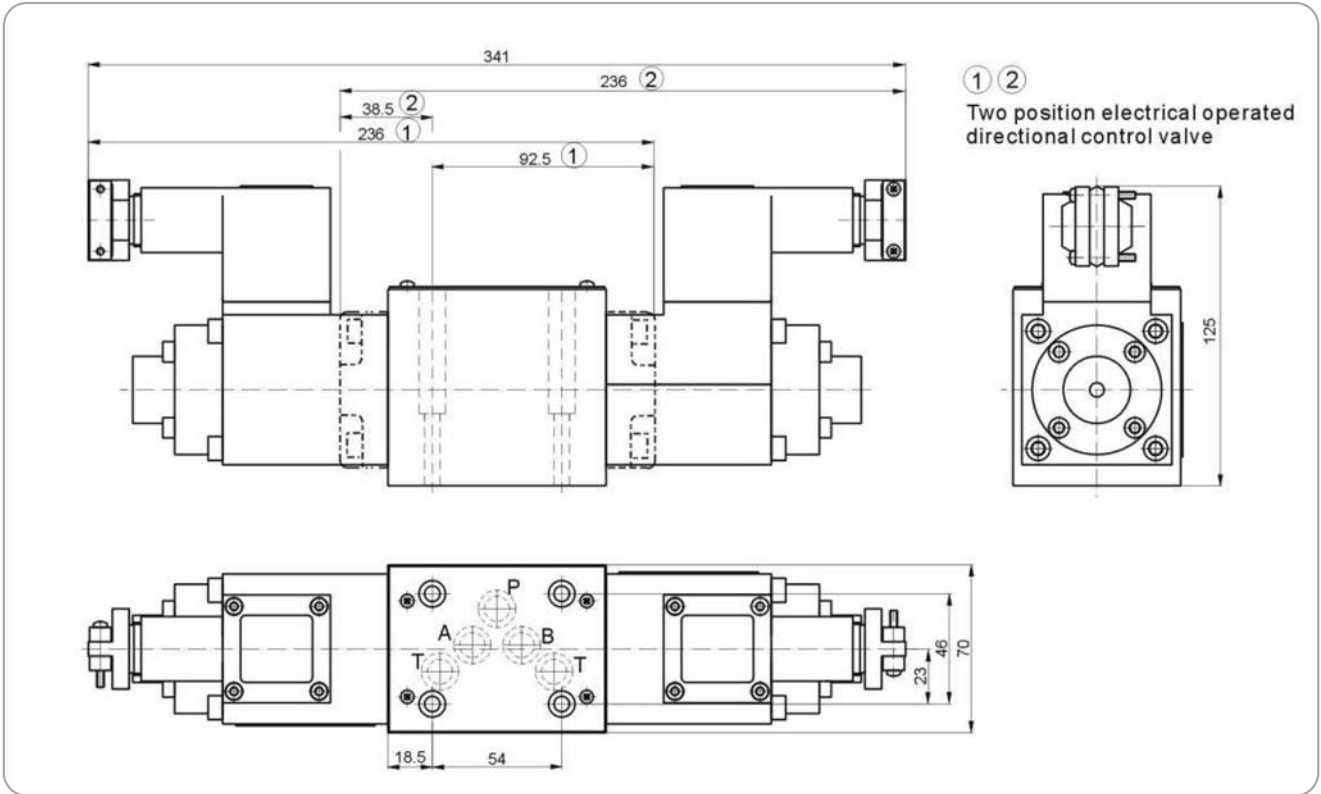
02 Subplate Size



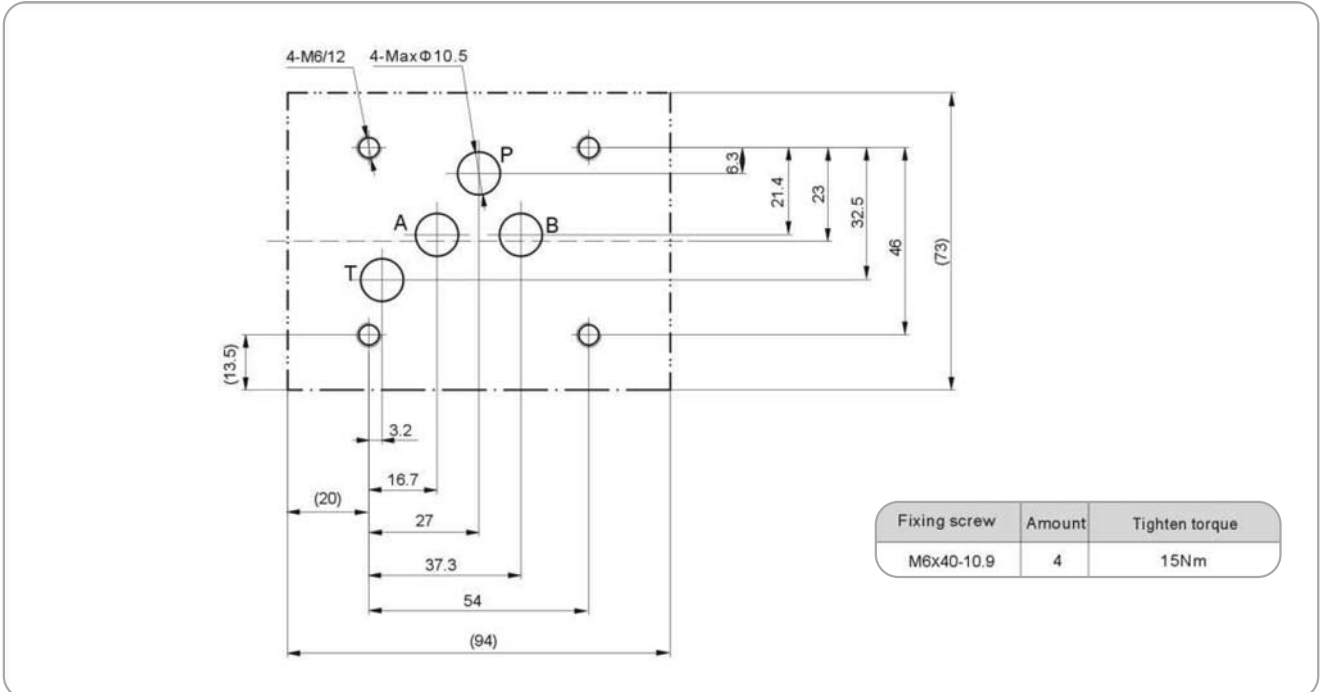
GDFW Eksproof Yön Kontrol Valfleri

GDFW Explosion Isolation Solenoid Directional Control Valve

03 External dimensions



03 Subplate Size



1. When installing the product, consider horizontal position firstly.
2. The medium used in the hydraulic system must be filtered. Its accuracy at least should be $20 \mu m$.
3. Screw should be according to the parameters of catalogue.
4. The surface, connecting with the valve, should be Ra0.8 roughness, and 0.01/100mm flatness.